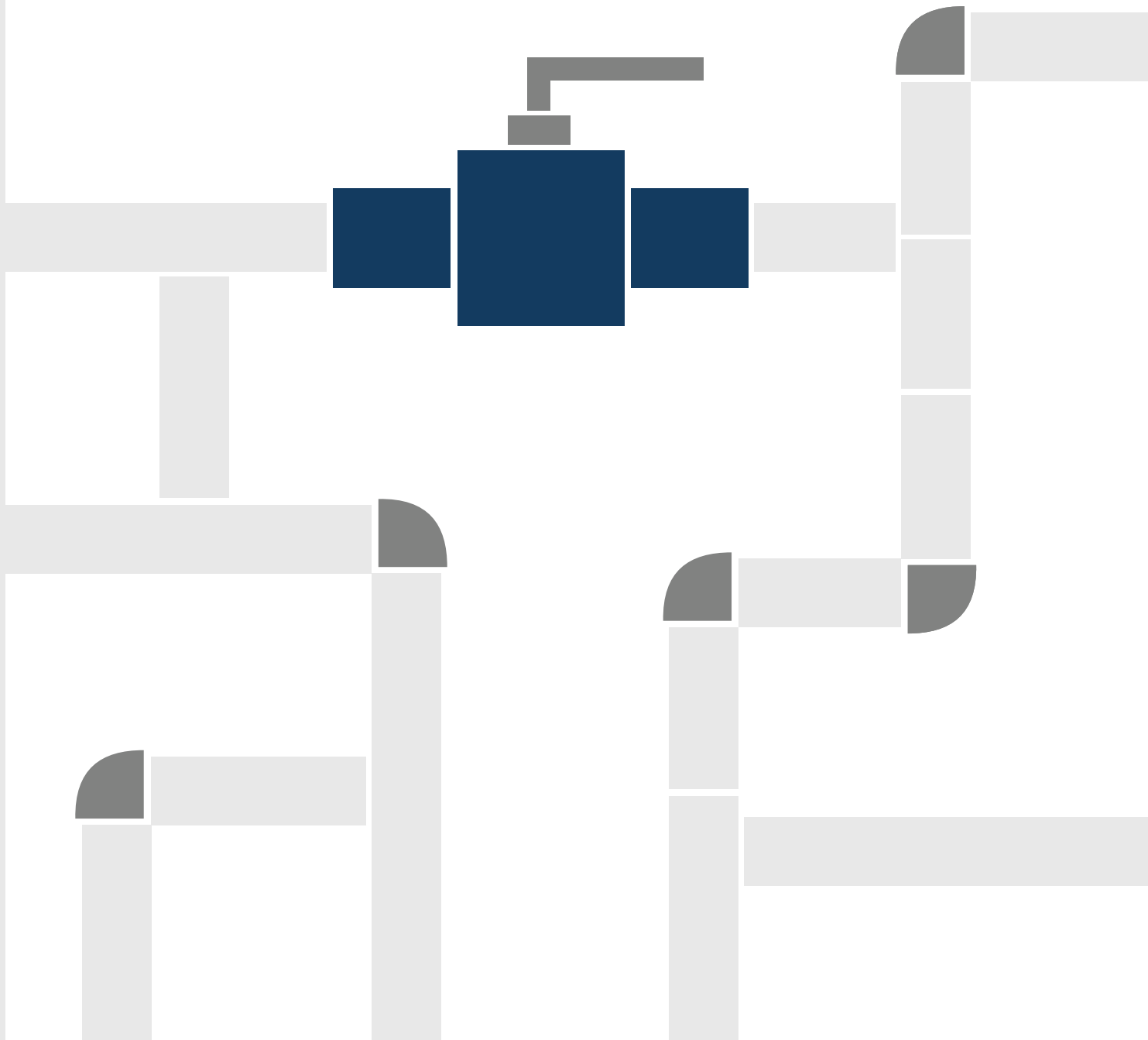


DP11-23-77 (DP24gw)



DP11-23-77 (DP24gw)

INTERNAL THREADED (TYPE G OR NPT) BALL VALVE WITH FULL BORE - ONE-PIECE



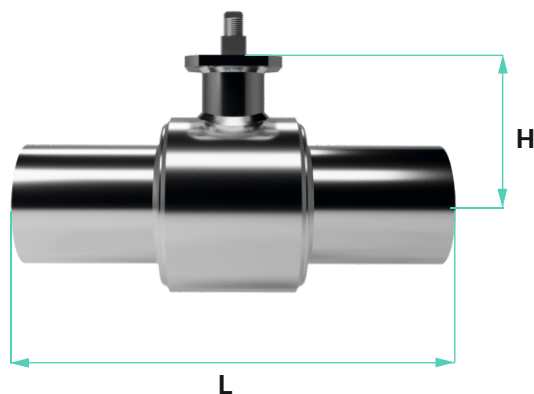
DIAMETER RANGE
DN15 ÷ DN125



NOMINAL PRESSURE
PN16 ÷ PN40



TEMPERATURE RANGE
-50°C ÷ +250°C

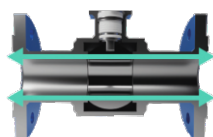


DN	15	20	25	32	40	50	65	80	100	125
NPS	1/2	3/4	1	5/4	3/2	2	5/2	3	4	5
Bore	15	20	25	32	40	50	65	75	98	130
L-length	96	106	118	128	122	154	160	162	205	266
Thread G	G 1/2"	G 3/4"	G 1"	G 5/4"	G 3/2"	G 2"	G 5/2"	G 3"	G 4"	G 5"
Thread NPT	NPT 1/2	NPT 3/4	NPT 1	NPT 5/4	NPT 3/2	NPT 2	NPT 5/2	NPT 3	NPT 4	NPT 5
Weight (kg)	1,1	1,2	2,5	4,5	7	11,2	12,9	21	30	35
H-height	44	46	57	61	65	91	100	110	141	166
Steering	D	D	D	D	D	NP/D	NP/D	NP/D	NP/D	NP/D

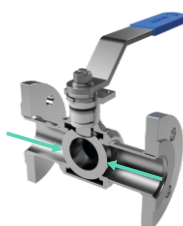
D - hand lever

NP/D - hand lever or adjustment for actuator assembly

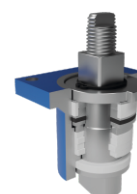
EXECUTION



FULL BORE



TIGHTNESS CLASS A



MAINTENANCE-FREE STUFFING BOX

STEERING



HAND LEVER

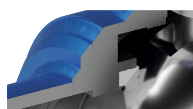


MANUAL GEAR



ELECTRIC OR PNEUMATIC ACTUATOR

OPTION



FIRE SAFE
EN-ISO 10497:2010



TA - LUFT
PN-EN ISO 15848-1
VDI 2440



ATEX
2014/34/UE
ANTISTATIC

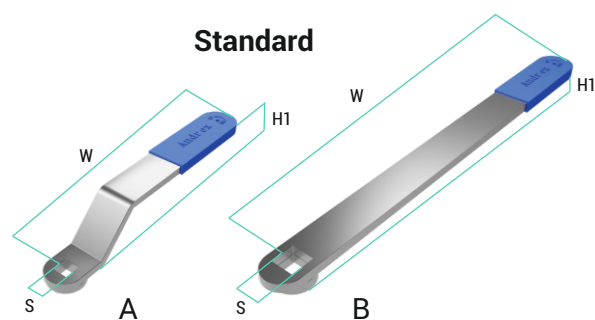
MATERIAL VERSIONS

Material type	Carbon steel		Stainless alloy steel										Other
	11	12	21	22	23	24	25	26	41	42	43 Duplex	44 Hastelloy	
Mark													
Body	P355/S355	P235/S235	1.4541	1.4301	1.4571	1.4571	1.4571	1.4404	1.4539	1.4931	1.4462	2.4602	
Connection	P355/S355	P235/S235	1.4541	1.4301	1.4541	1.4571	1.4571	1.4571	1.4539	1.4931	1.4462	2.4602	
Ball	1.4301	1.4301	1.4301	1.4301	1.4301	1.4404	1.4571	1.4404	1.4539	1.4931	1.4462	2.4602	
Stem	1.4305	1.4305	1.4305	1.4305	1.4305	1.4404	1.4571	1.4404	1.4539	1.4931	1.4462	2.4602	
Ball seat	PTFE, PTFE + fiberglass 25%												
Sealing package	PTFE, PTFE + fiberglass 25%												

according to customer requirements

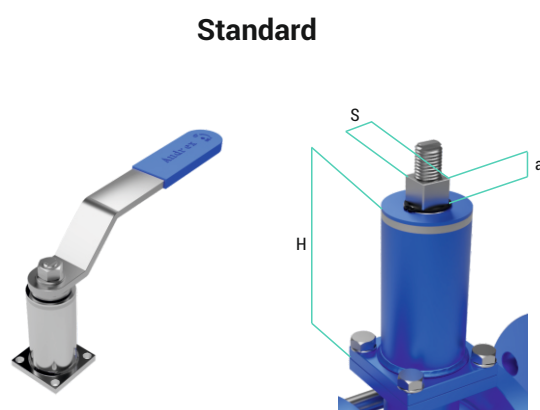
BALL VALVES - STEERING - HAND LEVER

DN	W	H1	s	Typ	Function
15	147	48	8 x 8	A	standard
20 - 25 - 32	167	59	10 x 10	A	
40	217	59	10 x 10	A	
50	280	61	17 x 17	A	
65 - 80	360	61	17 x 17	A	
100 - 125	472	23	24 x 24	B	
150	672	23	24 x 24	B	option



BALL VALVES - STEERING - STEM EXTENSION

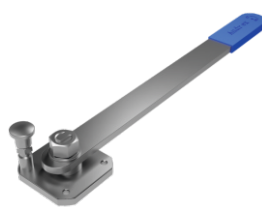
DN	S	a	H standard	Type	H max
15	8 x 8	5	100	KL1 - 100	according to order
20	10 x 10	5	100	KL2 - 100	
25	10 x 10	5	100	KL2 - 100	
32	10 x 10	5	100	KL2 - 100	
40	10 x 10	5	100	KL2 - 100	
50	17 x 17	6	100	KL3 - 100	
65	17 x 17	6	100	KL3 - 100	
80	17 x 17	6	100	KL3 - 100	
100	24 x 24	8	100	KL4 - 100	
125	24 x 24	8	100	KL4 - 100	
150	24 x 24	8	100	KL4 - 100	
200	42 x 42	12	100	KL5 - 100	
250	42 x 42	12	100	KL5 - 100	



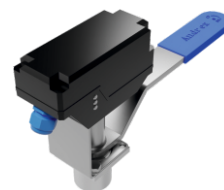
STEERING OPTIONS



with possibility of using padlock, seal



with protection against accidental steering



with limit indicator



with ratchet



stainless steel



shifted horizontally



special execution



spring lever

BALL VALVE STEERING MANUAL GEAR**



standard



with stem extension



with limit indicator

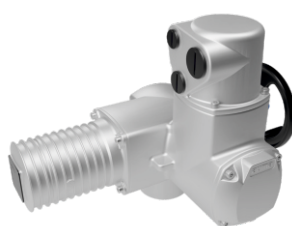


with chain

PNEUMATIC ACTUATOR**



ELECTRIC ACTUATOR**



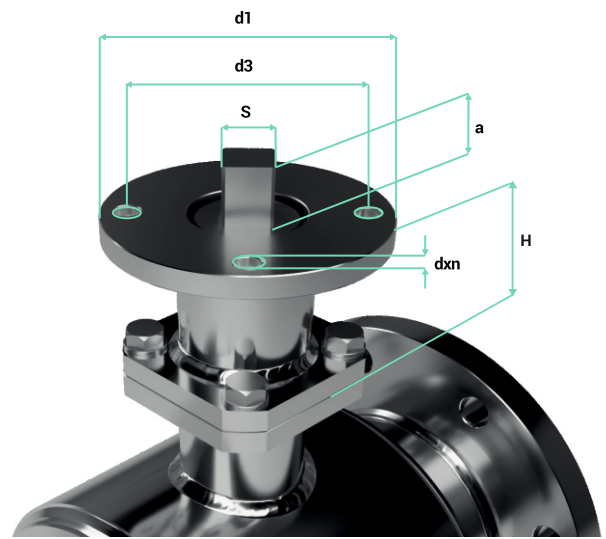
- single acting
- single acting with limit indicator
- single acting with limit indicator and solenoid valve
- double acting with limit indicator
- double acting with limit indicator and solenoid valve
- special execution

** dimensions available on inquiry

ACTUATOR ADAPTER

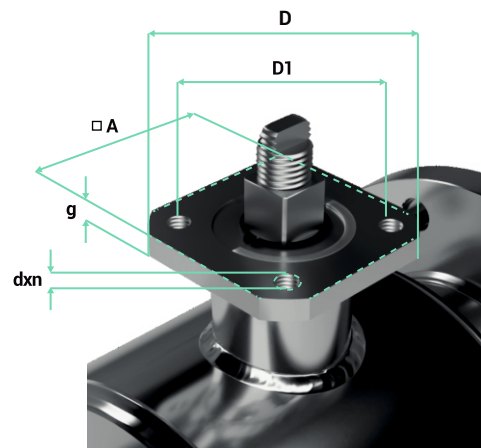
DN	d1	d3	S	a	H	Type	H max
15	65	50	14 x 14	14	50	F 05	
20	65	50	14 x 14	15	75	F 05	
25	65	50	14 x 14	15	75	F 05	
32	65	50	14 x 14	15	75	F 05	
40	65	50	14 x 14	15	75	F 05	
50	90	70	17 x 17	18	60	F 07	
65	90	70	17 x 17	18	60	F 07	
80	90	70	17 x 17	18	60	F 07	
100	125	102	22 x 22	25	76	F 10	
125	125	102	22 x 22	25	76	F 10	
150	125	102	22 x 22	25	76	F 10	
200	150	125	27 x 27	30,5	97	F 12	
250	150	125	27 x 27	30,5	97	F 12	

according to order



OPTIONAL EQUIPMENT ADAPTER

DN	D	D1	□ A	g	dxn	Function
15	56	42	50	8	M6x4	
20	65	50	50	8	M6x4	
25	65	50	50	8	M6x4	option
32	65	50	50	8	M6x4	
40	65	50	50	8	M6x4	
50	70	70	62	8	M8x4	standard
65	70	70	62	8	M8x4	
80	70	70	62	8	M8x4	
100	110	90	90	10	M10x4	
125	110	90	90	10	M10x4	
150	110	90	90	10	M10x4	
200	175	140	-	17	M16x4	
250	175	140	-	17	M16x4	



VALVE TORQUES

DN	15	20	25	32	40	50	65	80	100	125	150	200	250
Torque (Nm)*	10	15	20	25	40	80	100	120	150	190	350	550	800
Maximal allowable torque (Nm)**	40		120		140		300		1000	1200		1300	

* Torque established during assembly. In order to match the actuator properly, please contact the manufacturer

** Valve damage occurs



**Polish manufacturer
of ball valves**



Fittings distributor



Brzyście 35 near Mielec
39-307 Gawłuszowice



Tel: +48 17 785 28 93
Tel: +48 17 785 28 94



biuro@andrex-vg.com
www.andrex-vg.com