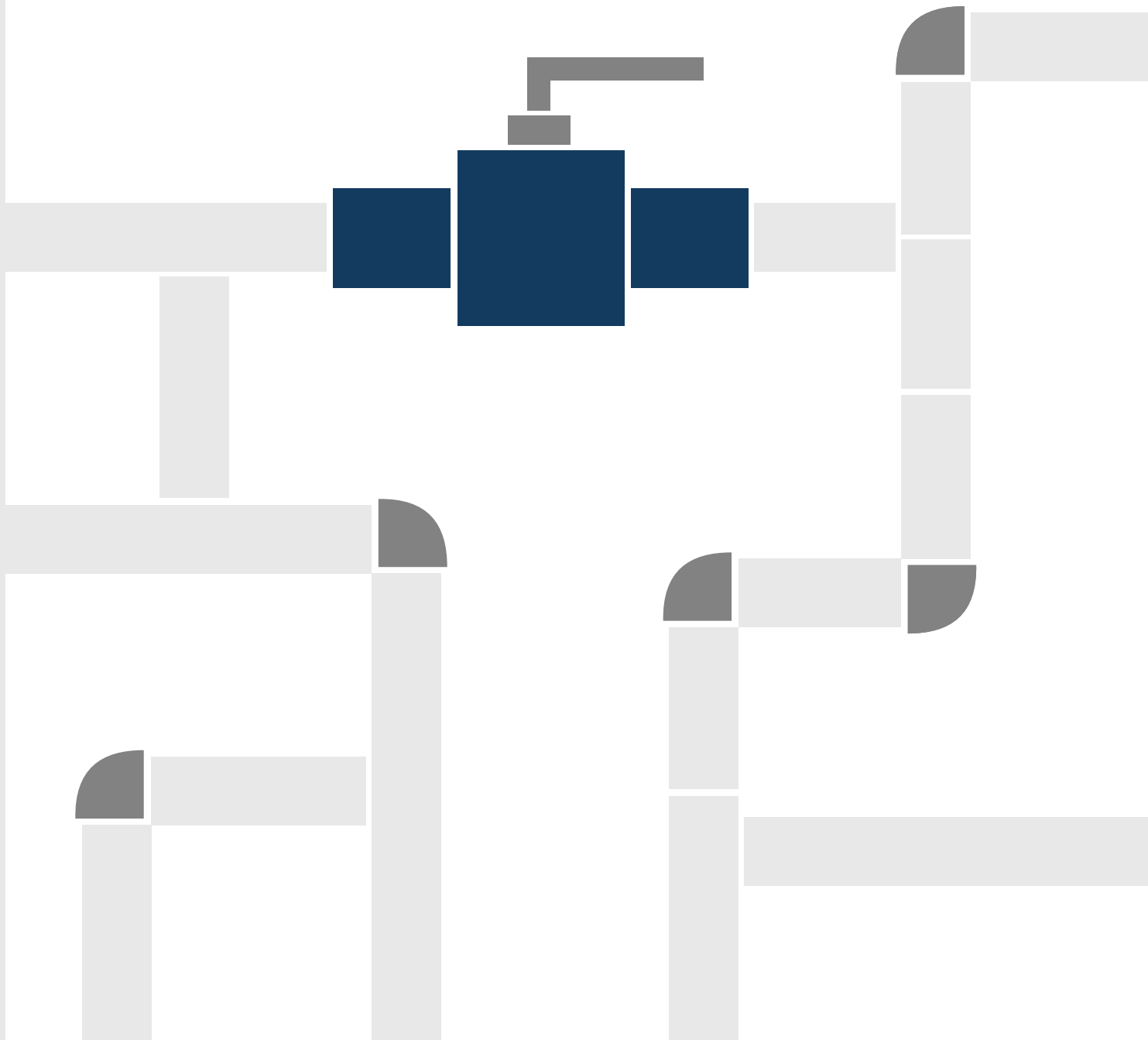


DP33-31-99 (DP31p)



DP33-31-99 (DP31p)

BALL VALVE FOR BUTT WELDING WITH FULL BORE - THREE-PIECE



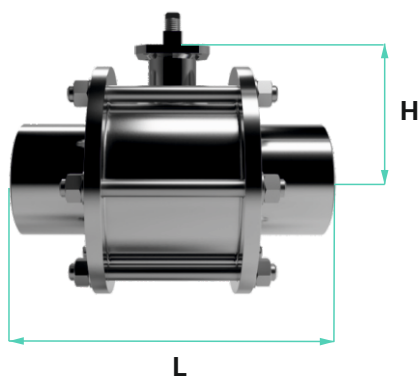
DIAMETER RANGE
DN15 ÷ DN300



NOMINAL PRESSURE
PN16 ÷ PN40



TEMPERATURE RANGE
-50°C ÷ +250°C



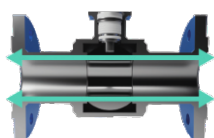
| DN | 15 | 20 | 25 | 32 | 40 | 50 | 65 | 80 | 100 | 125 | 150 | 200 | 250 | 300 |
|--------------------|------|------|------|------|------|------|------|------|-------|-------|-------|-------|------|-------|
| Bore | 15,9 | 20 | 25 | 32 | 40 | 50 | 62 | 75 | 101,7 | 125 | 152 | 200 | 248 | 300 |
| L-length | 130 | 150 | 160 | 180 | 200 | 230 | 290 | 310 | 350 | 400 | 480 | 600 | 730 | 850* |
| Connection | 21,3 | 26,9 | 33,7 | 42,4 | 48,3 | 60,3 | 76,1 | 88,9 | 114,3 | 139,7 | 168,3 | 219,1 | 273 | 323,9 |
| Weight (kg) | 1,5 | 2,1 | 2,3 | 2,7 | 4,1 | 7,3 | 9,6 | 16 | 20 | 26 | 40 | 67 | 130 | 180* |
| H-height | 44 | 57 | 57 | 61 | 65 | 91 | 102 | 110 | 145 | 166 | 213 | 238 | 301 | 360* |
| Steering | D | D | D | D | D | NP/D | NP/D | NP/D | NP/D | NP/D | NP/P | NP/P | NP/P | NP/P |

D - hand lever

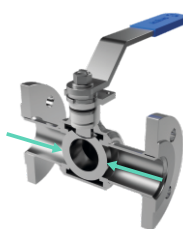
NP/D - hand lever or adjustment for actuator assembly

NP/P - manual gear

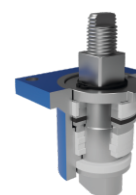
EXECUTION



FULL BORE



TIGHTNESS CLASS A



MAINTENANCE-FREE STUFFING BOX

STEERING



HAND LEVER

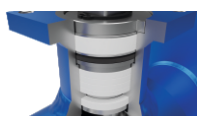


MANUAL GEAR



ELECTRIC OR PNEUMATIC ACTUATOR

OPTION



TA - LUFT
PN-EN ISO 15848-1
VDI 2440



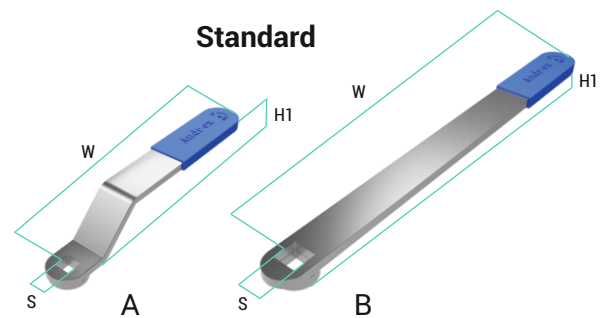
ATEX
2014/34/UE
ANTISTATIC

MATERIAL VERSIONS

| Material type | Carbon steel | | Stainless alloy steel | | | | | | | | | | Other |
|-----------------|-----------------------------|-----------|-----------------------|--------|--------|--------|--------|--------|--------|--------|-----------|--------------|------------------------------------|
| | 11 | 12 | 21 | 22 | 23 | 24 | 25 | 26 | 41 | 42 | 43 Duplex | 44 Hastelloy | |
| Mark | | | | | | | | | | | | | |
| Body | P355/S355 | P235/S235 | 1.4541 | 1.4301 | 1.4571 | 1.4571 | 1.4571 | 1.4404 | 1.4539 | 1.4931 | 1.4462 | 2.4602 | according to customer requirements |
| Connection | P355/S355 | P235/S235 | 1.4541 | 1.4301 | 1.4541 | 1.4571 | 1.4571 | 1.4571 | 1.4539 | 1.4931 | 1.4462 | 2.4602 | |
| Ball | 1.4301 | 1.4301 | 1.4301 | 1.4301 | 1.4301 | 1.4404 | 1.4571 | 1.4404 | 1.4539 | 1.4931 | 1.4462 | 2.4602 | |
| Stem | 1.4305 | 1.4305 | 1.4305 | 1.4305 | 1.4305 | 1.4404 | 1.4571 | 1.4404 | 1.4539 | 1.4931 | 1.4462 | 2.4602 | |
| Ball seat | PTFE, PTFE + fiberglass 25% | | | | | | | | | | | | |
| Sealing package | PTFE, PTFE + fiberglass 25% | | | | | | | | | | | | |

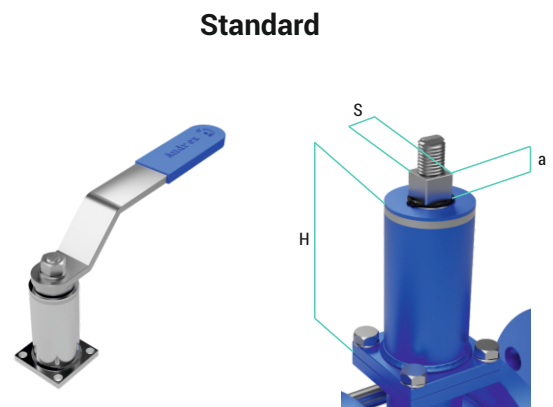
BALL VALVES - STEERING - HAND LEVER

| DN | W | H1 | s | Typ | Function |
|--------------|-----|----|---------|-----|----------|
| 15 | 147 | 48 | 8 x 8 | A | standard |
| 20 - 25 - 32 | 167 | 59 | 10 x 10 | A | |
| 40 | 217 | 59 | 10 x 10 | A | |
| 50 | 280 | 61 | 17 x 17 | A | |
| 65 - 80 | 360 | 61 | 17 x 17 | A | |
| 100 - 125 | 472 | 23 | 24 x 24 | B | |
| 150 | 672 | 23 | 24 x 24 | B | option |



BALL VALVES - STEERING - STEM EXTENSION

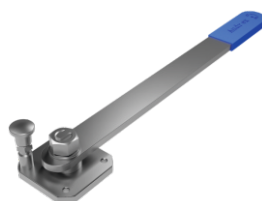
| DN | S | a | H standard | Type | H max |
|-----|---------|----|------------|-----------|--------------------|
| 15 | 8 x 8 | 5 | 100 | KL1 - 100 | according to order |
| 20 | 10 x 10 | 5 | 100 | KL2 - 100 | |
| 25 | 10 x 10 | 5 | 100 | KL2 - 100 | |
| 32 | 10 x 10 | 5 | 100 | KL2 - 100 | |
| 40 | 10 x 10 | 5 | 100 | KL2 - 100 | |
| 50 | 17 x 17 | 6 | 100 | KL3 - 100 | |
| 65 | 17 x 17 | 6 | 100 | KL3 - 100 | |
| 80 | 17 x 17 | 6 | 100 | KL3 - 100 | |
| 100 | 24 x 24 | 8 | 100 | KL4 - 100 | |
| 125 | 24 x 24 | 8 | 100 | KL4 - 100 | |
| 150 | 24 x 24 | 8 | 100 | KL4 - 100 | |
| 200 | 42 x 42 | 12 | 100 | KL5 - 100 | |
| 250 | 42 x 42 | 12 | 100 | KL5 - 100 | |



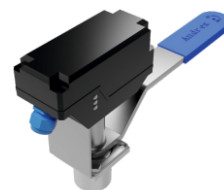
STEERING OPTIONS



with possibility of using padlock, seal



with protection against accidental steering



with limit indicator



with ratchet



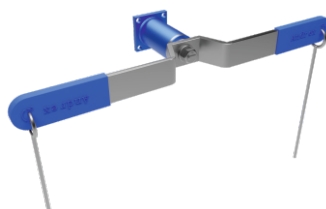
stainless steel



shifted horizontally



special execution



spring lever

BALL VALVE STEERING MANUAL GEAR**



standard



with stem extension



with limit indicator

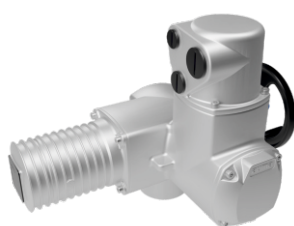


with chain

PNEUMATIC ACTUATOR**



ELECTRIC ACTUATOR**



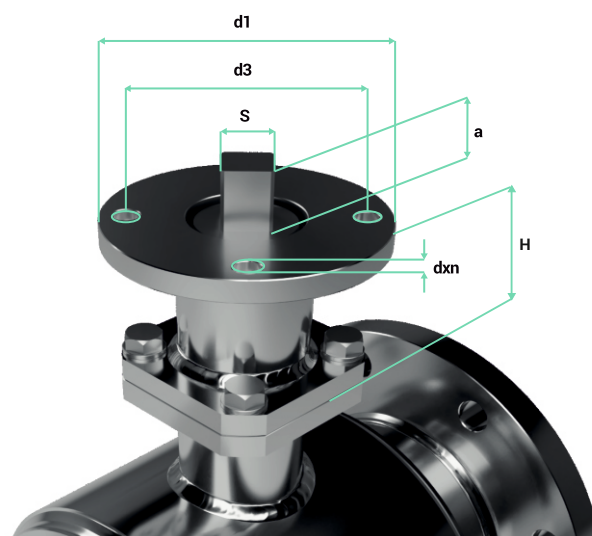
- single acting
- single acting with limit indicator
- single acting with limit indicator and solenoid valve
- double acting with limit indicator
- double acting with limit indicator and solenoid valve
- special execution

** dimensions available on inquiry

ACTUATOR ADAPTER

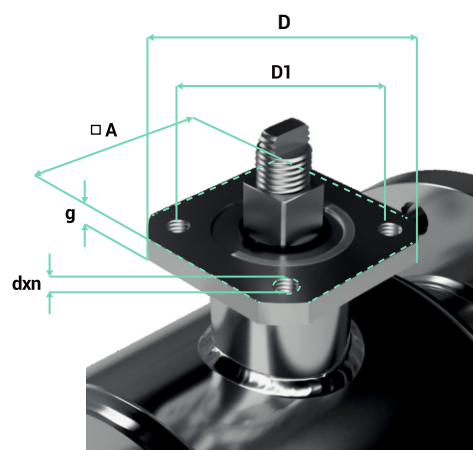
| DN | d1 | d3 | S | a | H | Type | H max |
|-----|-----|-----|---------|------|----|------|-------|
| 15 | 65 | 50 | 14 x 14 | 14 | 50 | F 05 | |
| 20 | 65 | 50 | 14 x 14 | 15 | 75 | F 05 | |
| 25 | 65 | 50 | 14 x 14 | 15 | 75 | F 05 | |
| 32 | 65 | 50 | 14 x 14 | 15 | 75 | F 05 | |
| 40 | 65 | 50 | 14 x 14 | 15 | 75 | F 05 | |
| 50 | 90 | 70 | 17 x 17 | 18 | 60 | F 07 | |
| 65 | 90 | 70 | 17 x 17 | 18 | 60 | F 07 | |
| 80 | 90 | 70 | 17 x 17 | 18 | 60 | F 07 | |
| 100 | 125 | 102 | 22 x 22 | 25 | 76 | F 10 | |
| 125 | 125 | 102 | 22 x 22 | 25 | 76 | F 10 | |
| 150 | 125 | 102 | 22 x 22 | 25 | 76 | F 10 | |
| 200 | 150 | 125 | 27 x 27 | 30,5 | 97 | F 12 | |
| 250 | 150 | 125 | 27 x 27 | 30,5 | 97 | F 12 | |

according to order



OPTIONAL EQUIPMENT ADAPTER

| DN | D | D1 | □ A | g | dxn | Function |
|-----|-----|-----|-----|----|-------|----------|
| 15 | 56 | 42 | 50 | 8 | M6x4 | |
| 20 | 65 | 50 | 50 | 8 | M6x4 | |
| 25 | 65 | 50 | 50 | 8 | M6x4 | option |
| 32 | 65 | 50 | 50 | 8 | M6x4 | |
| 40 | 65 | 50 | 50 | 8 | M6x4 | |
| 50 | 70 | 70 | 62 | 8 | M8x4 | standard |
| 65 | 70 | 70 | 62 | 8 | M8x4 | |
| 80 | 70 | 70 | 62 | 8 | M8x4 | |
| 100 | 110 | 90 | 90 | 10 | M10x4 | |
| 125 | 110 | 90 | 90 | 10 | M10x4 | |
| 150 | 110 | 90 | 90 | 10 | M10x4 | |
| 200 | 175 | 140 | - | 17 | M16x4 | |
| 250 | 175 | 140 | - | 17 | M16x4 | |



VALVE TORQUES

| DN | 15 | 20 | 25 | 32 | 40 | 50 | 65 | 80 | 100 | 125 | 150 | 200 | 250 |
|---------------------------------|----|----|-----|----|-----|----|-----|-----|------|------|-----|------|-----|
| Torque (Nm)* | 10 | 15 | 20 | 25 | 40 | 80 | 100 | 120 | 150 | 190 | 350 | 550 | 800 |
| Maximal allowable torque (Nm)** | 40 | | 120 | | 140 | | 300 | | 1000 | 1200 | | 1300 | |

* Torque established during assembly. In order to match the actuator properly, please contact the manufacturer

** Valve damage occurs



**Polish manufacturer
of ball valves**



Fittings distributor



Brzyście 35 near Mielec
39-307 Gawłuszowice



Tel: +48 17 785 28 93
Tel: +48 17 785 28 94



biuro@andrex-vg.com
www.andrex-vg.com