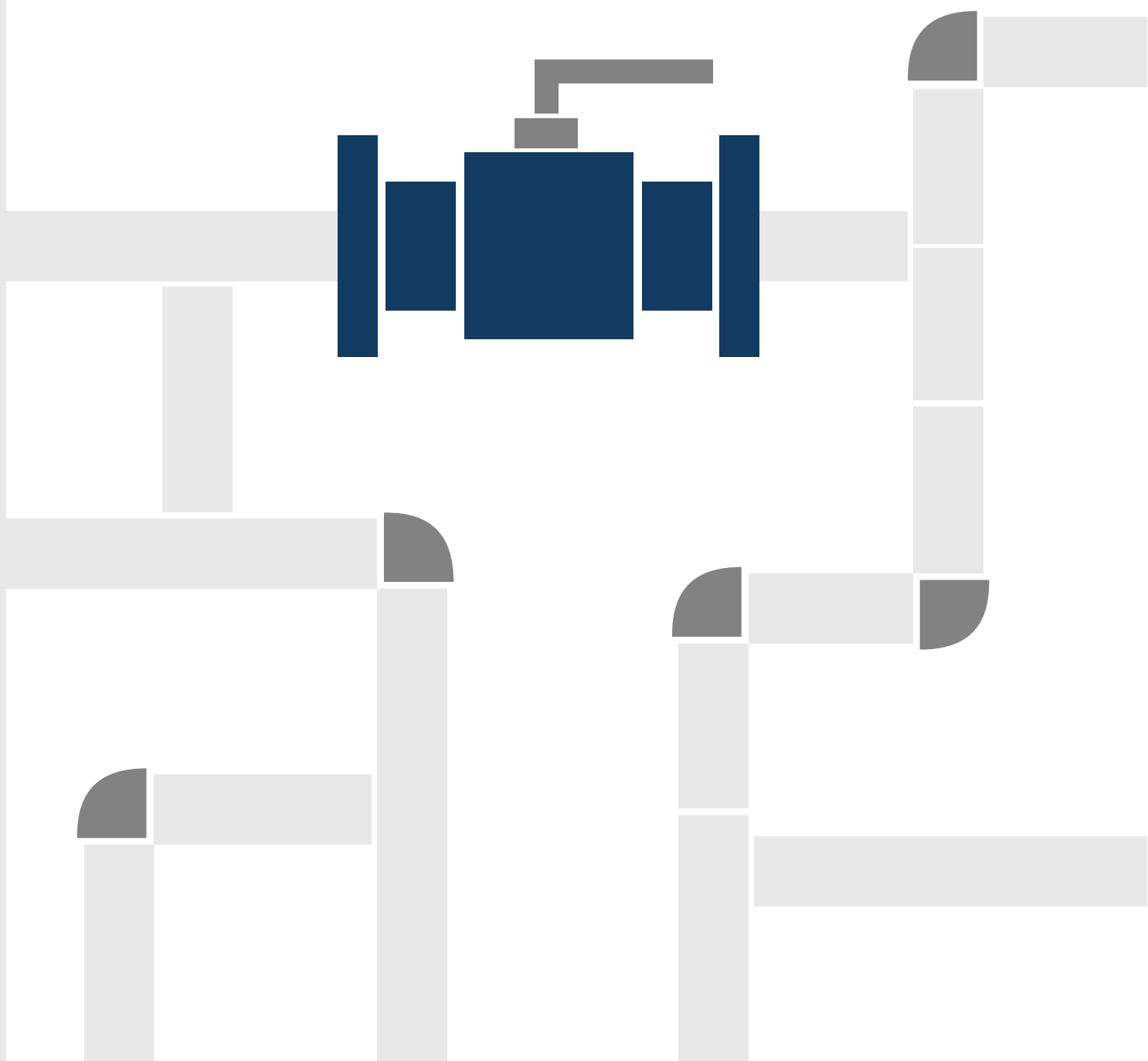


BALL VALVES



Technical parameters			3
Ball valves	flanged		4÷6
Ball valves	inter-flanged		6÷7
Ball valves	flanged	three-way	8
L-port and T-port ball			9
Ball valves	flanged	heated	10÷11
Ball valves	flanged	three-way heated	12÷13
Ball valves	inter-flanged	heated	14
Flanges dimensions			15
Ball valves	internal threaded		16÷17
Ball valves	internal threaded	three-way	18
Ball valves	external threaded	heated	18
Ball valves	external threaded		19÷20
Ball valves	threaded	three-way	21
Ball valves	threaded	heated	21
Ball valves	external threaded		22÷23
Ball valves	external threaded	three-way	24
Ball valves	external threaded	heated	25
Kinds of actuation			26÷28
Material executions			29
Ball sealing METAL-METAL			29



DIAMETER RANGE
DN6 ÷ DN300



PRESSURE
PN6 ÷ PN100



TEMPERATURE
-100°C ÷ +250°C

CONNECTIONS



FLANGED
INTER-FLANGED



**INTERNAL
THREADED**



FOR WELDING



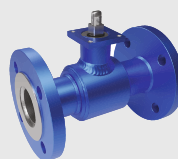
**EXTERNAL
THREADED**

MATERIALS



ALLOY STAINLESS STEEL

21-1.4541	41-1.4539
22-1.4301	42-1.4931
23-1.4571	43-1.4462
26-1.4404	44-2.4602



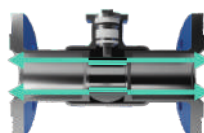
CARBON STEEL

11-P355/S355
12-P235/S235

BORE

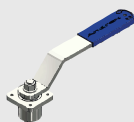


FULL BORE



REDUCED BORE

ACTUATION



HAND LEVER

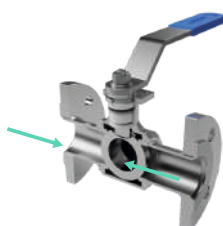


MANUAL GEAR



**ELECTRIC OR PNEUMATIC
ACTUATOR**

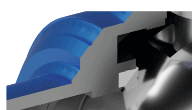
EXECUTION



**TIGHTNESS
CLASS A**



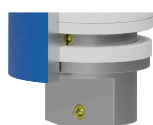
**MAINTENANCE-FREE
STUFFING BOX**



FIRE SAFE
EN-ISO 10497:2010



TA - LUFT
PN-EN ISO 15848-1
VDI 2440



ATEX
2014/34/UE
ANTISTATIC



**L-PORT
OR T-PORT BALL**

FLANGED; INTER-FLANGED BALL VALVES

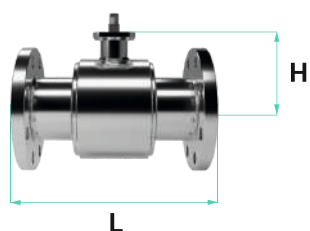
PN16, PN40, PN63, PN100 face:B according to PN-EN 1092-1

Options: pressure PN6, PN10, PN25 face: A, C, D, E, F, G, H

■ DP11-00-12/101 23k

Flanged ball valve with full bore - one-piece

PN16, PN40 row 1 DN15 ÷ DN300

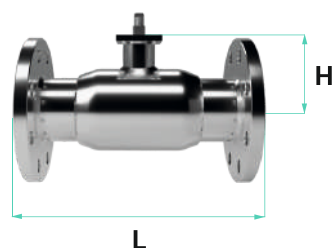


DN	15	20	25	32	40	50	65	80	100	125	150	200	250	300
Bore	15	20	25	32	40	50	62	75	98	123	148	200	253	300*
L-length	130	150	160	180	200	230	290	310	350	400	480	600	730	850*
Row EN558+A1	1	1	1	1	1	1	1	1	1	1	1	1	1	1
Weight (kg)	2,2	3,7	4,2	5,5	7,5	11,9	14,8	23,1	30	39	60	85	160	210*
H-height	43	46	57	61	65	91	100	110	141	166	213	238	300	410*
Actuation	D	D	D	D	D	NP/D	NP/D	NP/D	NP/D	NP/D	NP/P	NP/P	NP/P	NP/P

■ DP11-00-12/201 1k

Flanged ball valve with reduced bore - one-piece

PN16, PN40 row 1 DN15 ÷ DN150

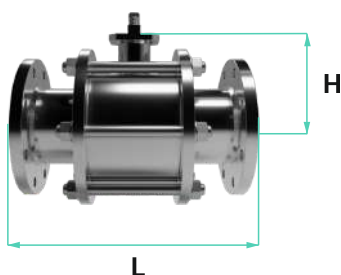


DN	15	20	25	32	40	50	65	80	100	125	150
Bore	10	15	20	25	32	40	50	62	85	105	130
L-length	130	150	160	180	200	230	290	310	350	400	480
Row EN558+A1	1	1	1	1	1	1	1	1	1	1	1
Weight (kg)	2	2,2	3,1	4,5	5,3	7,9	11,8	13,9	24	38,3	51,4
H-height	41	43	46	57	61	84	91	102	134	145	166
Actuation	D	D	D	D	D	NP/D	NP/D	NP/D	NP/D	NP/D	NP/D

■ DP33-00-12/101 31k

Flanged ball valve with full bore - three-piece

PN16, PN40 row 1 DN15 ÷ DN300



DN	15	20	25	32	40	50	65	80	100	125	150	200	250	300
Bore	15	20	25	32	40	50	62	75	100	125	150	200	253	300*
L-length	130	150	160	180	200	230	290	310	350	400	480	600	730	850*
Row EN558+A1	1	1	1	1	1	1	1	1	1	1	1	1	1	1
Weight (kg)	2,2	3,7	4,2	5,5	7,5	11,9	14,8	23,1	30	39	60	85	160	210*
H-height	43	57	57	61	65	90	102	110	145	166	213	238	300	420*
Actuation	D	D	D	D	D	NP/D	NP/D	NP/D	NP/D	NP/D	NP/P	NP/P	NP/P	NP/P

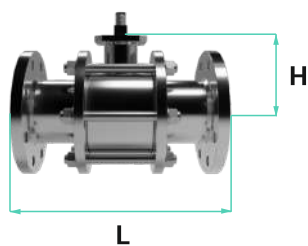
Kind of actuation:

D - hand lever NP/D - hand lever or adjustment for actuator assembly NP/P - hand gear

■ DP33-00-12/201 3k

Flanged ball valve with reduced bore - three-piece

PN16, PN40 row 1 DN100 ÷ DN300

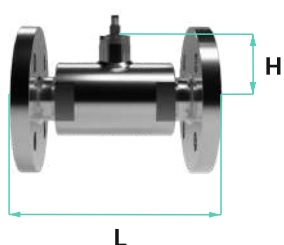


DN	100	125	150	200	250	300
Bore	85	105	130	162	300	253*
L-length	350	400	480	600	730	850*
Row EN558+A1	1	1	1	1	1	1
Weight (kg)	30	39	60	85	160	190*
H-height	135	145	166	213	238	340*
Actuation	NP/D	NP/D	NP/D	NP/P	NP/P	NP/P

■ DP22-00-12/101 41k

Flanged ball valve with full bore - two-piece

PN16, PN40, PN63, PN100 row 1 DN10 ÷ DN50

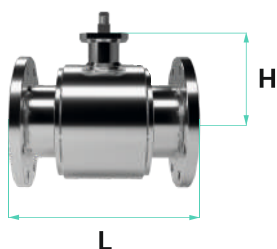


DN	10	15	20	25	32	40	50
Row	10	15	20	25	32	40	50
L-length	120	130	150	160	180	200	230
Row EN558+A1	1	1	1	1	1	1	1
Weight (kg)	2	2	2,2	3,1	4,5	5,3	7,9
H-height	43,0	43,0	56,7	56,7	61,0	65,0	93,2
Actuation	D	D	D	D	D	D	D

■ DP11-00-12/114 22k

Flanged ball valve with full bore - one-piece

PN16, PN40 row 14 DN100 ÷ DN250



DN	15	20	25	32	40	50	65	80	100	125	150	200	250
Bore	15	20	25	32	40	50	62	75	98	123	148	200	253
L-length	115	120	125	130	140	150	170	180	190	325	350	400	450
Row EN558+A1	14	14	14	14	14	14	14	14	14	15	15	15	15
Weight (kg)	1,9	2,25	3,1	4	5,1	8,9	10,6	13,5	18,7	39	60	85	160
H-height	43	57	57	61	65	91	101	110	141	188	193	238	300
Actuation	D	D	D	D	D	NP/D	NP/D	NP/D	NP/D	NP/D	NP/P	NP/P	NP/P

■ DP11-00-12/113 21k

Flanged ball valve with full bore - one-piece

PN16, PN40 row 13 DN32 ÷ DN80



DN	32	40	50	65	80
Bore	32	40	50	62	75
L-length	104	106	108	112	140
Row EN558+A1	8	13	13	13	107
Weight (kg)	4	5,1	8,9	10,6	13,5
H-height	62	62	91	101	110
Actuation	D	D	NP/D	NP/D	NP/D

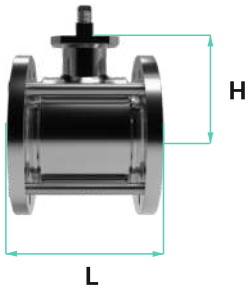
Kind of actuation:

D - hand lever NP/D - hand lever or adjustment for actuator assembly NP/P - hand gear

- DP33-03-12/114 25k

Flanged ball valve with full bore - three-piece

PN16, PN40 row 14 DN50 ÷ DN80

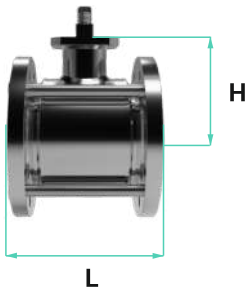


DN	50	65	80
Bore	50	62	75
L-length	150	170	180
Row EN558+A1	14	14	14
Weight (kg)	11,9	14,8	23,1
H-height	90	102	110
Actuation	NP/D	NP/D	NP/D

- DP33-03-12/214 25k

Flanged ball valve with reduced bore - three-piece

PN16, PN40 row 14 DN100 ÷ DN125

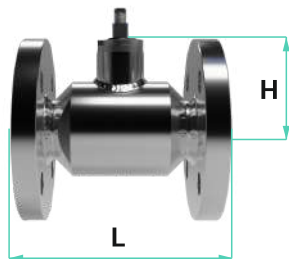


DN	100	125
Bore	85	105
L-length	190	325
Row EN558+A1	14	15
Weight (kg)	25	35
H-height	135	145
Actuation	NP/D	NP/D

- DP22-00-12/114 1kS

Flanged ball valve with full bore - two-piece

PN16, PN40 PN63 PN100 row 14/8 DN10 ÷ DN50



DN	10	15	20	25	32	40	50
Bore	10	15	20	25	32	40	50
L(PN40)-length	85	90	110	125	130	140	180
L(PN63)-length	97	102	122	141	142	156	192
L(PN100)-length	97	102	122	141	142	156	196
Row EN558+A1	8a	8a	14	14	14	14	3
Weight (kg)	1,7	1,9	2,25	3,1	4,55	5,3	7,9
H-height	43,0	43,0	56,7	56,7	61,0	65,0	93,2
Actuation	D	D	D	D	D	D	NP/D

- DP33-01-72/1 2k

Inter-flanged ball valve with full bore - three-piece

PN16, PN40 DN15 ÷ DN80



DN	15	20	25	32	40	50	65	80
Bore	15	20	25	32	40	50	62	75
L (PN16)-length	54	72	72	86	94	104	119	133
L (PN25)-length	54	72	74	86	94	106	123	141
L (PN40)-length	54	72	74	86	94	106	123	141
Weight (kg)	1,4	2,6	2,9	4	5,1	8,9	10,6	13,5
H-height	43	57	57	61	65	90	102	110
Actuation	D	D	D	D	D	NP/D	NP/D	NP/D

Kind of actuation:

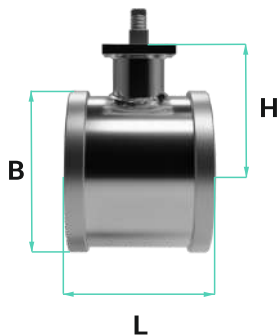
D - hand lever NP/D - hand lever or adjustment for actuator assembly NP/P - hand gear

- DP33-01-72/2 2k
Inter-flanged ball valve with reduced bore - three-piece
 PN16, PN40 DN100 ÷ DN300



DN	100	125	150	200	250	300
Bore	85	105	130	162	200	253*
L (PN16)-length	153	171	202	242	306	416*
L (PN25)-length	161	183	210	258	324	434*
L (PN40)-length	161	183	210	266	338	448*
Weight (kg)	18,7	26,5	40,2	69,5	107	150*
H-height	135	145	166	213	238	300*
Actuation	NP/D	NP/D	NP/D	NP/P	NP/P	NP/P

- DP22-01-72/1 2
Inter-flanged ball valve with full bore - two-piece
 PN16, PN40 DN15 ÷ DN50



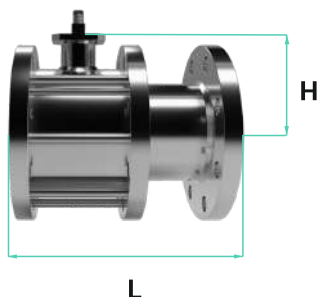
DN	15	20	25	32	40	50
Bore	15	20	25	32	40	50
L-length	45	47	49	65	72	83
B	56	60	70	81	91	106
Weight (kg)	1,2	2,1	2,3	3,1	4,2	6,9
H-height	43	57	57	61	65	90
Actuation	D	D	D	D	D	NP/D

- DP22-02-72/1 2b
Inter-flanged ball valve with full bore - two-piece
 PN16, PN40 DN15 ÷ DN100



DN	15	20	25	32	40	50	65	80	100
Bore	15	20	25	32	40	50	62	75	98
L-length	44	44	49	70	78	84	100	126	160
Weight (kg)	2,1	2,2	4,6	6,7	7,9	12,5	17,5	24,5	39,0
H-height	43,0	45,5	57,0	61,0	65,0	95,2	100,0	107,1	141,0
Actuation	D	D	D	D	D	NP/D	NP/D	NP/D	NP/D

- DP33-02-12/2 2/3k
Flanged ball valve with reduced bore - three-piece
 PN16, PN40 DN15 ÷ DN300



DN	15	20	25	32	40	50	65	80	100	125	150	200	250	300
Bore	15	20	25	32	40	50	62	75	85	105	130	162	200	253
L-length	According to dimensions given by Client													

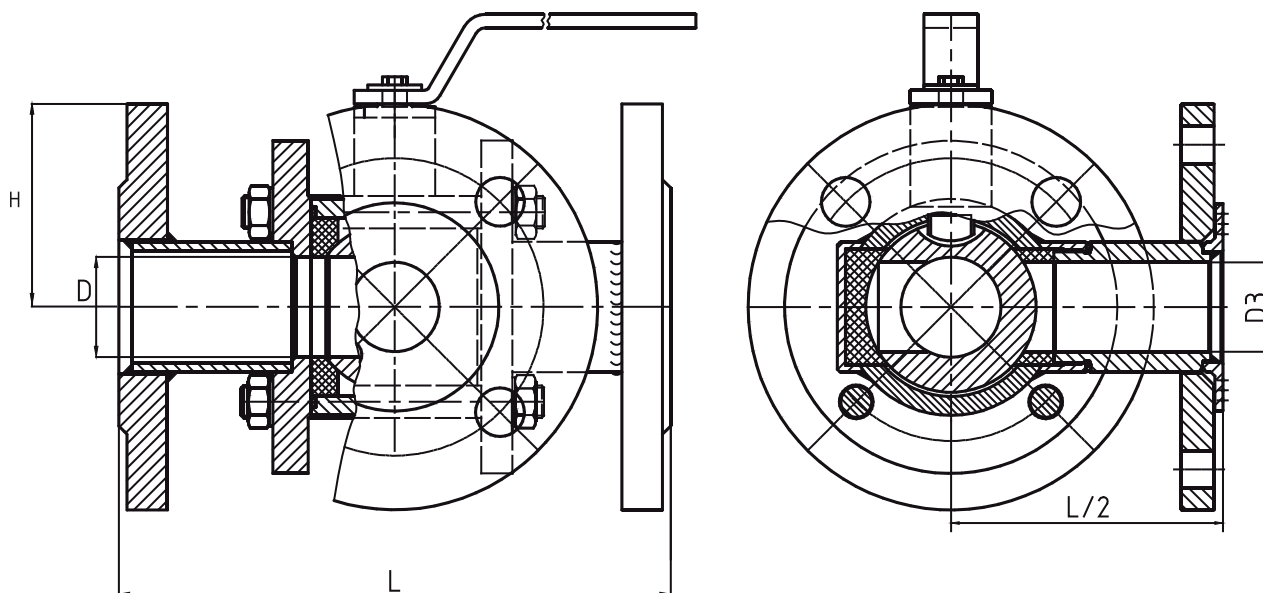
Kind of actuation:

D - hand lever NP/D - hand lever or adjustment for actuator assembly NP/P - hand gear

THREE-WAY FLANGED BALL VALVES

PN16, PN40 face: B wg PN-EN 1092-1 kula „L”; „T”

Options: pressure PN6, PN10, PN25 face: A, C, D, E, F, G, H



■ DP55-00-12/101 5k

Three-way flanged ball valve with full bore

PN16, PN40 row 1 DN15÷ DN300

DN	15	20	25	32	40	50	65	80	100	125	150	200	250	300
D-bore	15	20	23	32	40	50	65	80	100	125	150	200*	250*	300*
L-length	130	150	160	180	200	230	290	310	350	400	480	600*	730*	850*
Row EN558+A1	1	1	1	1	1	1	1	1	1	1	1	1	1	1
L/2-width	67	75	80	90	100	115	145	155	175	200	240	300*	365*	425*
Weight (kg)	3	4,7	5,5	7,3	12	16,2	19,9	26	34	50	85	155*	290*	410*
H-height	43	57	57	58,5	65	94,2	100,1	111,2	133,5	145,9	163,15	238*	300*	420*
Actuation	D	D	D	D	D	NP/D	NP/D	NP/D	NP/D	NP/D	NP/P	NP/P	NP/P	NP/P

■ DP55-00-12/201 5k

Three-way flanged ball valve with reduced bore

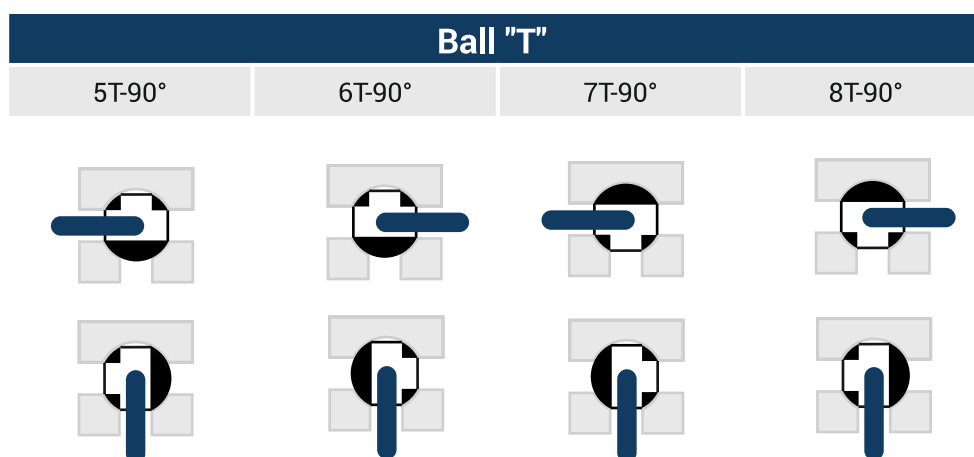
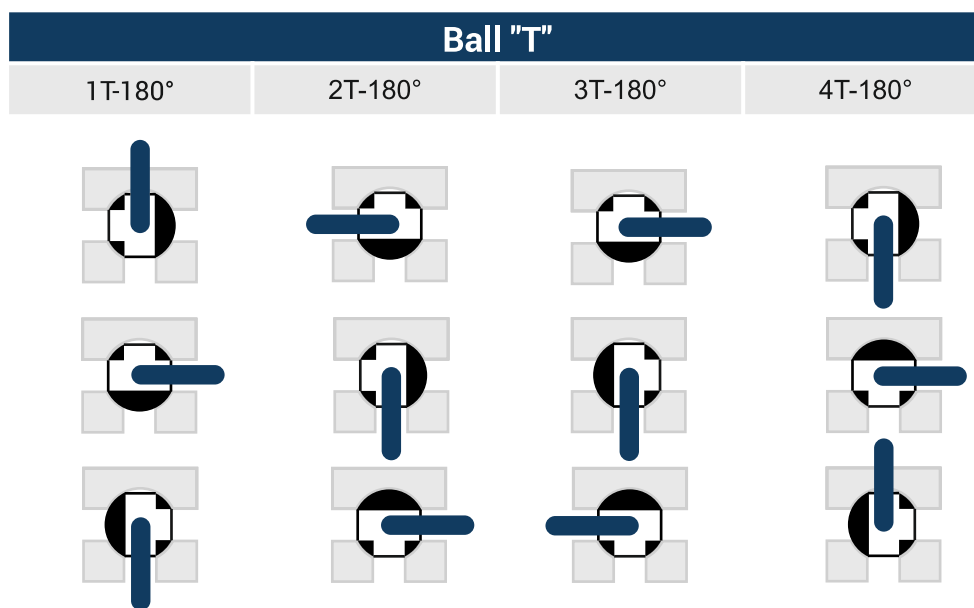
PN16, PN40 row 1 DN32÷ DN300

DN	32	40	50	65	80	100	125	150	200	250	300
D-bore	27	33	45	54	67	80	96	118	150*	200*	250*
L-length	180	200	230	290	310	350	400	480	600*	730*	850*
Row EN558+A1	1	1	1	1	1	1	1	1	1	1	1
L/2-width	90	100	115	145	155	175	200	240	300*	365*	425*
Weight (kg)	7,3	12	16,2	19,9	26	34	50	85	125*	240*	330*
H-height	58,5	65	94,2	100,1	111,2	133,5	145,9	163,15	238*	300*	420*
Actuation	D	D	NP/D	NP/D	NP/D	NP/D	NP/D	NP/P	NP/P	NP/P	NP/P

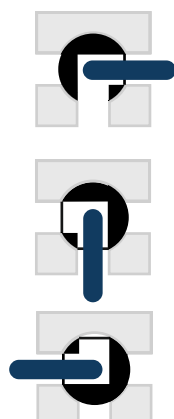
Kind of actuation:

D - hand lever NP/D - hand lever or adjustment for actuator assembly NP/P - hand gear

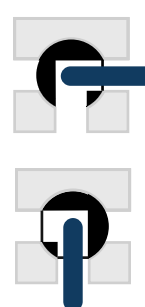
VARIANTS OF APPLICATION L AND T BALL DEPENDING ON ROTATION ANGLE



Ball "L"
1L-180°



Ball "L"
2L-90°



HEATED FLANGED BALL VALVE; INTER-FLANGED

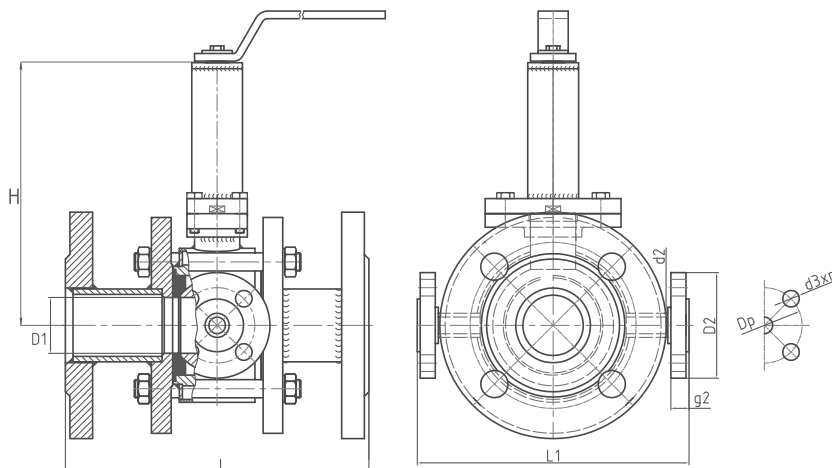
PN16, PN40 face:B according to PN-EN 1092-1 L-port or T-port ball

Options: pressure PN6, PN10, PN25 face: A, C, D, E, F, G, H

■ DP33-06-12/301 10k

Flanged ball valve with full bore heated on body

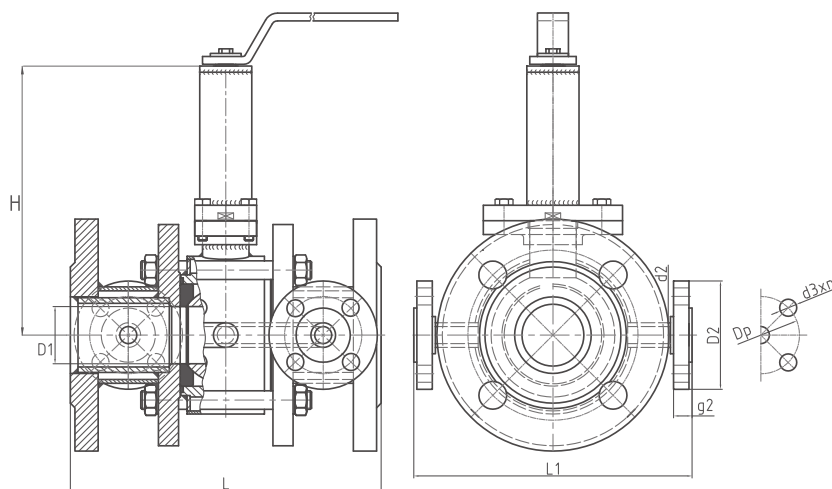
PN16, PN40 row 1 DN15÷ DN300



■ DP33-06-12/401 10k

Flanged ball valve with full bore heated on bulding length

PN16, PN40 row 1 DN15÷ DN300

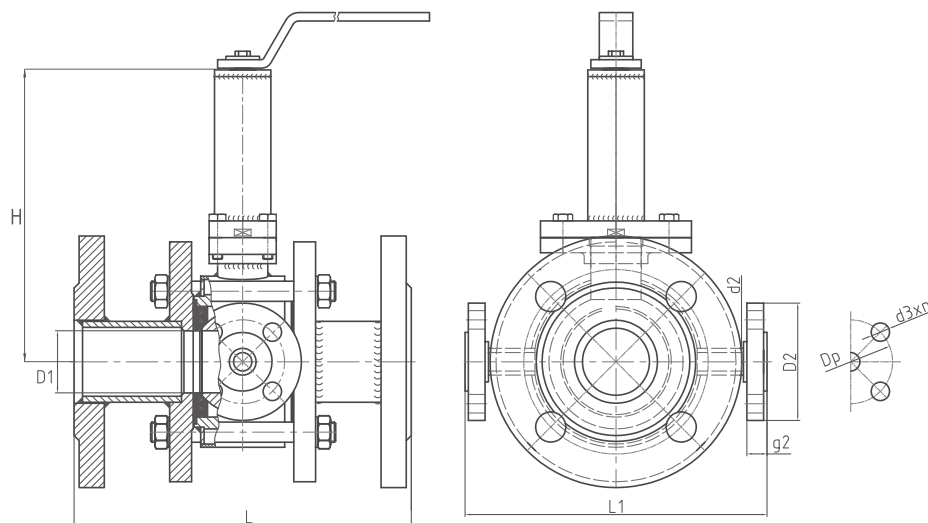


DN	15	20	25	32	40	50	65	80	100	125	150	200	250	300
D1-bore	15	20	25	32	40	50	62	75	100	125	150	200	253	300*
L-length	130	150	160	180	200	230	290	310	350	400	480	600	730	850*
L1	189	209	209	220	234	271	281	304	326	393	435	486	545	610*
D2	95	95	95	95	95	95	95	95	95	105	105	105	105	105
d2	21,3	21,3	21,3	21,3	21,3	21,3	21,3	21,3	21,3	26,9	26,9	26,9	26,9	26,9
d3 x n	14x4	14x4	14x4	14x4	14x4	14x4	14x4	14x4	14x4	14x4	14x4	14x4	14x4	14x4
D _p	65	65	65	65	65	65	65	65	65	75	75	75	75	75
g2	14	14	14	14	14	14	14	14	14	16	16	16	16	16
Weight (kg)	3,6	5,2	5,7	7	9	14	17	26	33	44	66	92,5	172	240*
H-height	143	157	157	161,4	165	190,4	201,6	210	235	244,9	265,5	312,5	338	400*
Actuation	NP/D	NP/D	NP/D	NP/D	NP/D	NP/D	NP/D	NP/D	NP/D	NP/D	NP/P	NP/P	NP/P	NP/P

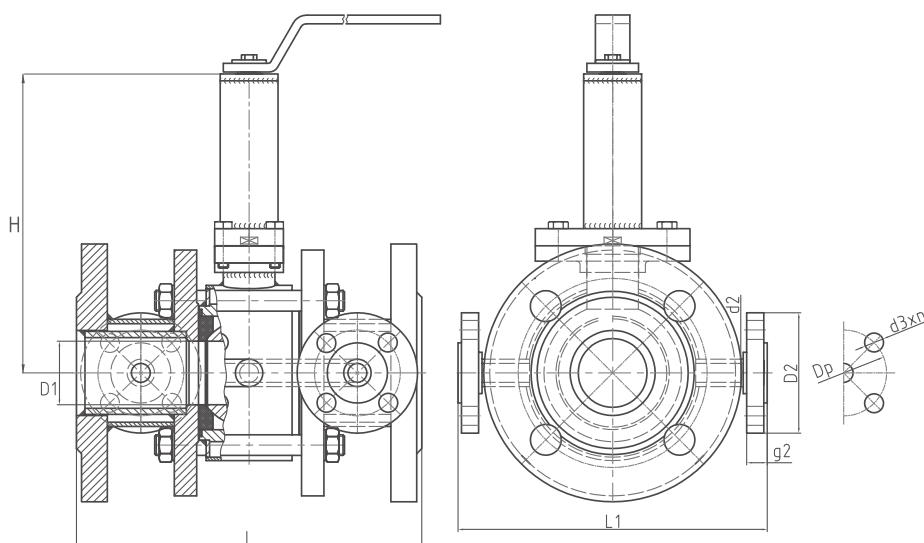
Kind of actuation:

D - hand lever NP/D - hand lever or adjustment for actuator assembly NP/P - hand gear

- DP33-06-12/501 10k
Flanged ball valve with reduced bore heated on body
 PN16, PN40 row 1 DN100÷ DN300



- DP33-06-12/601 10k
Flanged ball valve with reduced bore heated on building length
 PN16, PN40 row 1 DN100÷ DN300



DN	100	125	150	200	250	300
D1-bore	85	105	130	162	200	253*
L-length	350	400	480	600	730	850*
L1	326	393	435	486	545	610*
D2	95	105	105	105	105	105
d2	21,3	26,9	26,9	26,9	26,9	26,9
d3 x n	14x4	14x4	14x4	14x4	14x4	14x4
D _p	65	75	75	75	75	75
g2	14	16	16	16	16	16
Weight (kg)	33	44	66	92,5	172	200*
H-height	235	244,9	265,5	312,5	338	400*
Actuation	NP/D	NP/D	NP/D	NP/P	NP/P	NP/P

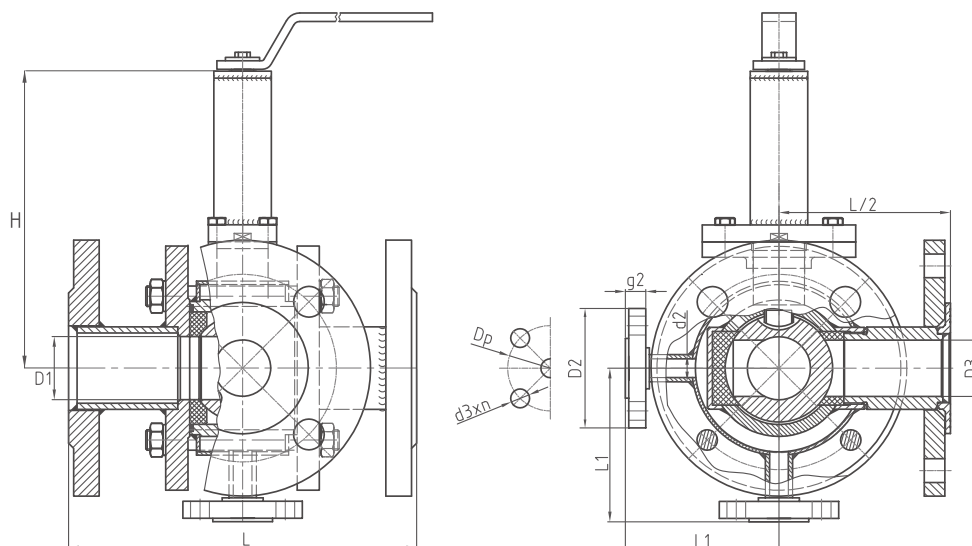
Kind of actuation:

D - hand lever NP/D - hand lever or adjustment for actuator assembly NP/P - hand gear

■ DP55-06-12/301 9k

Flanged three-way ball valve with full bore heated on body

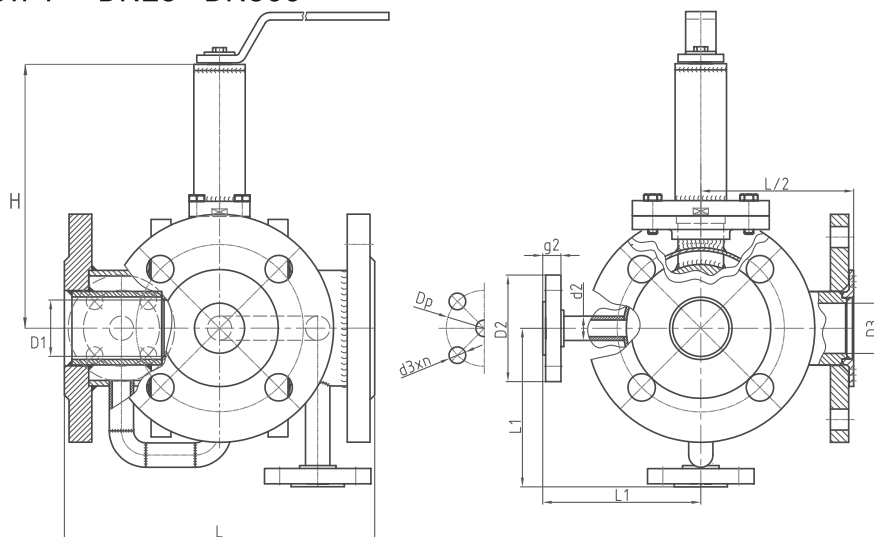
PN16, PN40 row 1 DN25÷ DN300



■ DP55-06-12/401 9k

Flanged three-way ball valve with full bore heated on building length

PN16, PN40 row 1 DN25÷ DN300



DN	25	32	40	50	65	80	100	125	150	200	250	300
D1-bore	25	32	40	50	65	80	100	125*	150*	200*	250*	300*
L-length	160	180	200	230	290	310	350	400*	480*	600*	730*	850*
L1	104	110	117	136	141	152	163	212*	255*	340*	425*	510*
L/2	80	90	100	115	145	155	175	200*	240*	300*	365*	425*
D ₂	95	95	95	95	95	95	95	105	105	105	105	105
d ₂	21,3	21,3	21,3	21,3	21,3	21,3	21,3	26,9	26,9	26,9	26,9	26,9
d3xn	14x4	14x4	14x4	14x4	14x4	14x4	14x4	14x4	14x4	14x4	14x4	14x4
D _p	65	65	65	65	65	65	65	75	75	75	75	75
g ₂	14	14	14	14	14	14	14	16	16	16	16	16
Weight (kg)	7	8,8	13,6	18,4	22,2	28,7	37	60*	102*	186*	348*	492*
H-height	157	158,5	162,5	197	200,1	211,2	234,5	350*	370*	450*	520*	650*
Actuation	NP/D	NP/D	NP/D	NP/D	NP/D	NP/D	NP/D	NP/P	NP/P	NP/P	NP/P	NP/P

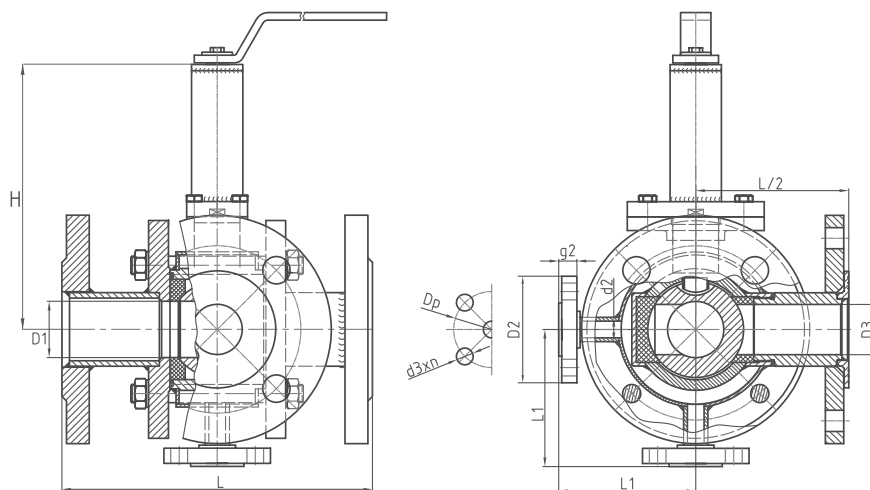
Kind of actuation:

D - hand lever NP/D - hand lever or adjustment for actuator assembly NP/P - hand gear

■ DP55-06-12/501 9k

Flanged three-way ball valve with reduced bore heated on body

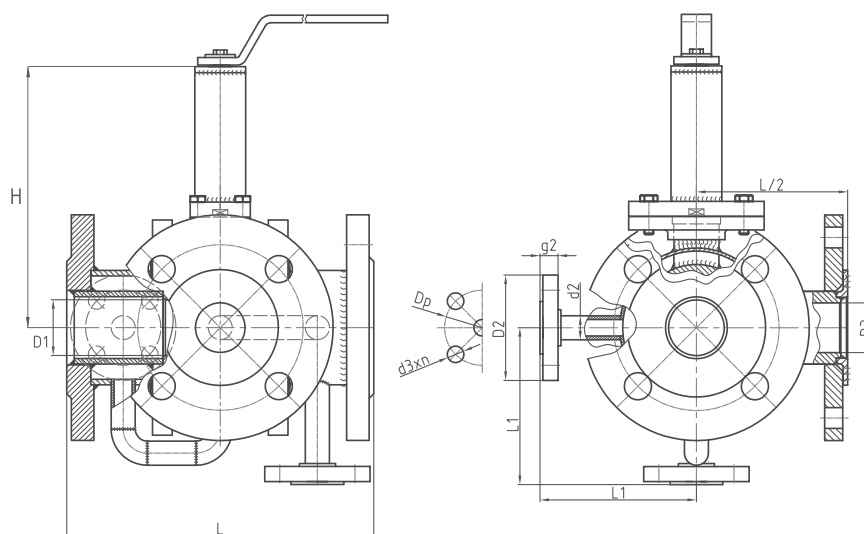
PN16, PN40 row 1 DN25÷ DN300



■ DP55-06-12/601 9k

Flanged three-way ball valve with reduced bore heated on building length

PN16, PN40 row 1 DN25÷ DN300



DN	25	32	40	50	65	80	100	125	150	200	250	300
D1-bore	23	27	33	45	54	67	80	100*	125*	150*	200*	250*
L-length	160	180	200	230	290	310	350	400*	480*	600*	730*	850*
L1	104	110	117	136	141	152	163	212*	255*	340*	425*	510*
L/2	80	90	100	115	145	155	175	200*	240*	300*	365*	425*
D ₂	95	95	95	95	95	95	95	105	105	105	105	105
d ₂	21,3	21,3	21,3	21,3	21,3	21,3	21,3	26,9	26,9	26,9	26,9	26,9
d3xn	14x4	14x4	14x4	14x4	14x4	14x4	14x4	14x4	14x4	14x4	14x4	14x4
D _p	65	65	65	65	65	65	65	75	75	75	75	75
g ₂	14	14	14	14	14	14	14	16	16	16	16	16
Weight (kg)	7	8,8	13,6	18,4	22,2	28,7	37	60*	102*	186*	348*	492*
H-height	157	158,5	162,5	197	200,1	211,2	234,5	350*	370*	450*	520*	650*
Actuation	NP/D	NP/D	NP/D	NP/D	NP/D	NP/D	NP/D	NP/D	NP/P	NP/P	NP/P	NP/P

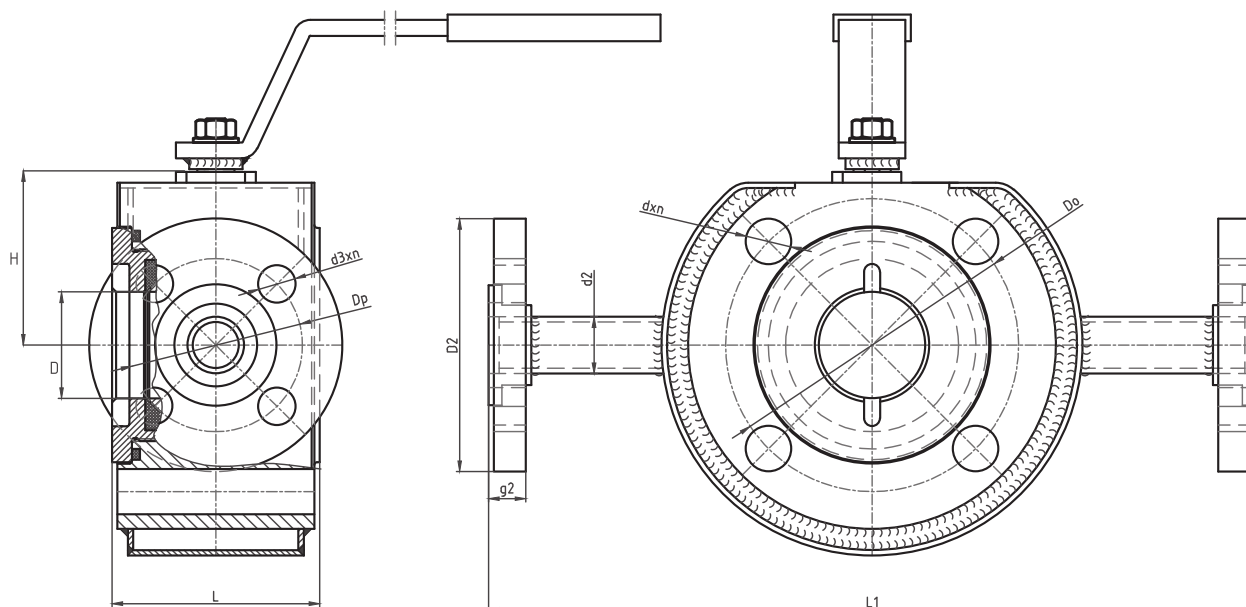
Kind of actuation:

D - hand lever NP/D - hand lever or adjustment for actuator assembly NP/P - hand gear

■ DP22-06-71/3 10b

Inter-flanged three-way ball valve with full bore heated on body

PN16, PN40 DN15÷ DN100

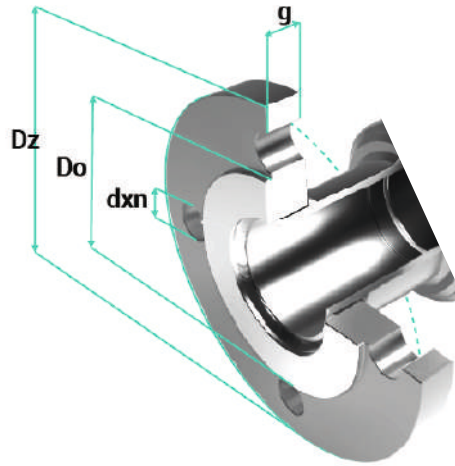


DN	15	20	25	32	40	50	65	80	100
D-bore	15	20	25	32	40	50	62	75	98
L-length	44	44	60	70	78	84	100	126	160
L1	~233	~243	253	278	288	~303	~323	~335	~358
D2	95	95	95	95	95	95	95	95	95
d2	21,3	21,3	21,3	21,3	21,3	21,3	21,3	21,3	21,3
d3 x n	14x4	14x4	14x4	14x4	14x4	14x4	14x4	14x4	14x4
d x n	14x4	14x4	14x4	18x4	18x4	18x4	18x8	18x8	22x8
Dp	65	65	65	65	65	65	65	65	65
g2	14	14	14	14	14	14	14	14	14
Weight (kg)	~2,8	~3,5	~4,9	~8,0	~8,9	~12,9	~21,0	~26,5	~45,8
H-height	43	45,5	56,7	61	65	91,2	100	107,1	140,75
Actuation	NP/D	NP/D	NP/D	NP/D	NP/D	NP/D	NP/D	NP/D	NP/D

Kind of actuation:

D - hand lever NP/D - hand lever or adjustment for actuator assembly NP/P - hand gear

FLANGES DIMENSIONS ACCORDING TO STANDARD PN-EN 1092-1



DN	10	15	20	25	32	40	50	65	80	100	125	150	200	250	300
----	----	----	----	----	----	----	----	----	----	-----	-----	-----	-----	-----	-----

Flanges according to PN-EN 1092-1; PN 6

Dz	75	80	90	100	120	130	140	160	190	210	240	265	320	375	440
Do	50	55	65	75	90	100	110	130	150	170	200	225	280	335	395
dxn	11 x 4	11 x 4	11 x 4	11 x 4	14 x 4	14 x 4	14 x 4	14 x 4	18 x 4	18 x 4	18 x 8	18 x 8	18 x 8	18 x 12	22 x 12
g	12	12	14	14	16	16	16	16	18	18	20	20	22	24	24

Flanges according to PN-EN 1092-1; PN 10

Dz	90	95	105	115	140	150	165	185	200	220	250	285	340	395	445
Do	60	65	75	85	100	110	125	145	160	180	210	240	295	350	400
dxn	14 x 4	14 x 4	14 x 4	14 x 4	18 x 4	18 x 4	18 x 4	18 x 8	18 x 8	18 x 8	18 x 8	22 x 8	22 x 8	22 x 12	22 x 12
g	14	14	16	16	18	18	19	20	20	22	22	24	24	26	24

Flanges according to PN-EN 1092-1; PN 16

Dz	90	95	105	115	140	150	165	185	200	220	250	285	340	395	460
Do	60	65	75	85	100	110	125	145	160	180	210	240	295	350	410
dxn	14 x 4	14 x 4	14 x 4	14 x 4	18 x 4	18 x 4	18 x 4	18 x 8	18 x 8	18 x 8	18 x 8	22 x 8	22 x 12	26 x 12	26 x 12
g	14	14	16	16	18	18	19	20	20	22	22	24	26	29	32

Flanges according to PN-EN 1092-1; PN 25

Dz	90	95	105	115	140	150	165	185	200	235	270	300	360	425	485
Do	60	65	75	85	100	110	125	145	160	190	220	250	310	370	430
dxn	14 x 4	14 x 4	14 x 4	14 x 4	18 x 4	18 x 4	18 x 4	18 x 8	18 x 8	22 x 8	26 x 8	26 x 8	26 x 12	29,5 x 12	30 x 16
g	14	14	16	16	18	18	20	22	24	26	28	30	32	35	38

Flanges according to PN-EN 1092-1; PN 40

Dz	90	95	105	115	140	150	165	185	200	235	270	300	375	450	515
Do	60	65	75	85	100	110	125	145	160	190	220	250	320	385	450
dxn	14 x 4	14 x 4	14 x 4	14 x 4	18 x 4	18 x 4	18 x 4	18 x 8	18 x 8	22 x 8	26 x 8	26 x 8	29,5x12	32,5x12	33 x 16
g	14	14	16	16	18	18	20	22	24	26	28	30	36	42	52

Flanges according to PN-EN 1092-1; PN 63

Dz	100	105	130	140	155	170	180	205	215	250	295	345	415	470	530
Do	70	75	90	100	110	125	135	160	170	200	240	280	345	400	460
dxn	14 x 4	14 x 4	18 x 4	18 x 4	22 x 4	22 x 4	22 x 4	22 x 8	22 x 8	26 x 8	30 x 8	33 x 8	33 x 8	36 x 12	36 x 16
g	20	20	22	24	24	26	26	26	30	32	34	36	48	55	65

Flanges according to PN-EN 1092-1; PN 100

Dz	100	105	130	140	155	170	195	220	230	265	315	355	430	505	585
Do	70	75	90	100	110	125	145	170	180	210	250	290	360	430	500
dxn	14 x 4	14 x 4	18 x 4	18 x 4	22 x 4	22 x 4	26 x 4	26 x 8	26 x 8	30 x 8	33 x 8	33 x 12	36 x 12	39 x 12	42 x 16
g	20	20	22	24	24	26	28	30	34	36	42	48	60	72	84

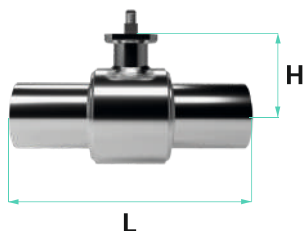
INTERNAL THREADED BALL VALVES

PN16, PN40, PN63, PN100 thread: G, NPT

Options: thread BSF, BSW, M, MF, according to pattern

- DP11-00-54/1 24gw
Internal threaded ball valve with full bore - one-piece (type G)
- DP11-00-55/1 24gw
Internal threaded ball valve with full bore - one-piece (type NPT)

PN16, PN40 DN10÷ DN125



DN	10	15	20	25	32	40	50	65	80	100	125
NPS	3/8	1/2	3/4	1	5/4	3/2	2	5/2	3	4	5
Bore	10	15	20	25	32	40	50	65	75	98	123
L-length	96	96	106	118	128	122	154	160	162	205	266
Thread 54	G 3/8	G 1/2	G 3/4	G 1	G 5/4	G 3/2	G 2	G 5/2	G 3	G 4	G 5
Thread 55	NPT 3/8	NPT 1/2	NPT 3/4	NPT 1	NPT 5/4	NPT 3/2	NPT 2	NPT 5/2	NPT 3	NPT 4	NPT 5
Weight (kg)	1,1	1,1	1,2	2,5	4,5	7	11,2	12,9	21	30	35
H-height	43	43	46	57	61	65	91	100	110	141	166
Actuation	D	D	D	D	D	D	NP/D	NP/D	NP/D	NP/D	NP/D

- DP11-00-54/2 1gw
Internal threaded ball valve with reduced bore - one-piece (type G)
- DP11-00-55/2 1gwC
Internal threaded ball valve with reduced bore - one-piece (type NPT)

PN16, PN40 DN10÷ DN125



DN	10	15	20	25	32	40	50	65	80	100	125
NPS	3/8	1/2	3/4	1	5/4	3/2	2	5/2	3	4	5
Bore	10	10	15	20	25	32	40	50	62	85	105
L-length	116	116	126	130	150	150	170	215	220	300	410
Thread 54	G 3/8	G 1/2	G 3/4	G 1	G 5/4	G 3/2	G 2	G 5/2	G 3	G 4	G 5
Thread 55	NPT 3/8	NPT 1/2	NPT 3/4	NPT 1	NPT 5/4	NPT 3/2	NPT 2	NPT 5/2	NPT 3	NPT 4	NPT 5
Weight (kg)	0,7	0,7	0,8	1,1	1,7	2,3	2,9	5,8	7,3	14,1	24
H-height	41	41	43	46	57	61	84	91	102	134	145
Actuation	D	D	D	D	D	D	NP/D	NP/D	NP/D	NP/D	NP/D

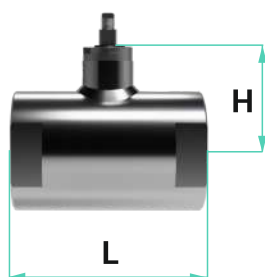
Kind of actuation:

D - hand lever NP/D - hand lever or adjustment for actuator assembly NP/P - hand gear

- DP22-00-54/1 1gwS
Internal threaded ball valve with full bore - two-piece (type G)

- DP22-00-55/1 1gwSC
Internal threaded ball valve with full bore - two-piece (type NPT)

PN16, PN40, PN63, PN100 DN6÷ DN50

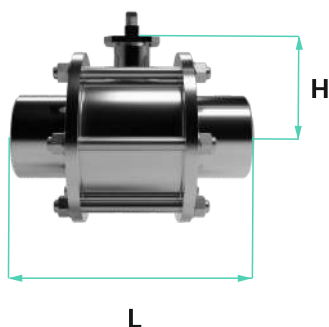


DN	6	10	15	20	25	32	40	50
NPS	1/4	3/8	1/2	3/4	1	1 1/4	1 1/2	2
Bore	6	10	15	20	25	32	40	50
L-length	52,5	52,5	66	82	98	110	127	150
Thread 54	G 1/4	G 3/8	G 1/2	G 3/4	G 1	G 1 1/4	G 1 1/2	G 2
Thread 55	NPT 1/4	NPT 3/8	NPT 1/2	NPT 3/4	NPT 1	NPT 1 1/4	NPT 1 1/2	NPT 2
Weight (kg)	0,7	0,7	0,7	2,0	2,1	3,0	4,1	6,5
H-height	43,0	43,0	43,0	56,7	56,7	61,0	65,0	93,2
Actuation	D	D	D	D	D	D	D	NP/D

- DP33-00-54/1 31gw
Internal threaded ball valve with full bore - three-piece (type G)

- DP33-00-55/1 31gwC
Internal threaded ball valve with full bore - three-piece (type NPT)

PN16, PN40 DN15÷ DN80

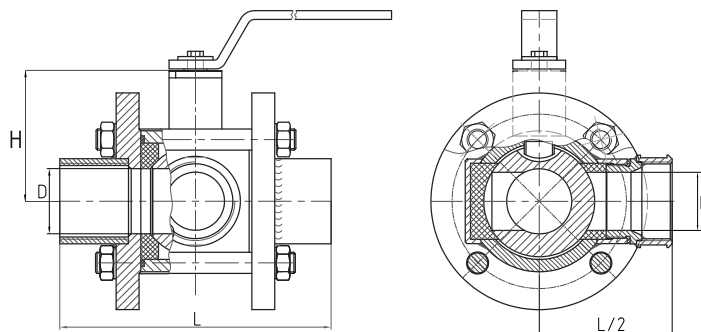


DN	15	20	25	32	40	50	65	80
NPS	1/2	3/4	1	5/4	3/2	2	5/2	3
Bore	15	20	25	32	40	50	62	75
L-length	85	95	105	120	130	150	185	205
Thread 54	G 1/2	G 3/4	G 1	G 5/4	G 3/2	G 2	G 5/2	G 3
Thread 55	NPT 1/2	NPT 3/4	NPT 1	NPT 5/4	NPT 3/2	NPT 2	NPT 5/2	NPT 3
Weight (kg)	1	2,1	2,3	2,7	4,1	7,3	9,7	16
H-height	43	57	57	61	65	90	102	110
Actuation	D	D	D	D	D	NP/D	NP/D	NP/D

Kind of actuation:

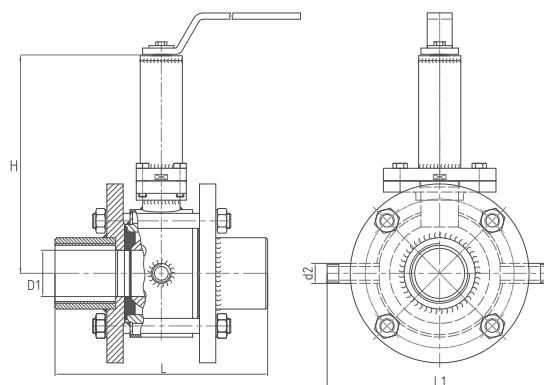
D - hand lever NP/D - hand lever or adjustment for actuator assembly NP/P - hand gear

- DP55-00-54/1 5gw
Three-way internal threaded ball valve with full bore (type G)
- DP55-00-55/1 5gwC
Three-way internal threaded ball valve with full bore (type NPT)
PN16, PN40 DN25÷ DN80



DN	25	32	40	50	65	80
D-bore	23	27	33	45	54*	67*
L-length	145	170	180	190	230*	280*
L/2-width	70	79	84,5	102	115*	140*
Thread 54	G 1	G 5/4	G 3/2	G 2	G 5/2	G 3
Thread 55	NPT 1	NPT 5/4	NPT 3/2	NPT 2	NPT 5/2	NPT 3
Weight (kg)	4,5	5,8	7	8	12*	16*
H-height	57	58,5	65	94,2	100,1*	111,2*
Actuation	D	D	D	NP/D	NP/D	NP/D

- DP33-06-54/1 10gw
Heated internal threaded ball valve with full bore (type G)
- DP33-06-55/1 10gwC
Heated internal threaded ball valve with full bore (type NPT)
PN16, PN40 DN15÷ DN50



DN	15	20	25	32	40	50
D1-bore	15	20	25	32	40	50
L-length	85	95	105	120	130	150
L1	181	201	201	212	226	263
Gwint 54	G 1/2	G 3/4	G 1	G 5/4	G 3/2	G 2
Gwint 55	NPT 1/2	NPT 3/4	NPT 1	NPT 5/4	NPT 3/2	NPT 2
d2	G 1/2	G 1/2	G 1/2	G 1/2	G 1/2	G 1/2
Weight (kg)	1,2	2,4	2,7	3,1	4,5	8,3
H-height	143	157	157	161,4	165	190,4
Actuation	NP/D	NP/D	NP/D	NP/D	NP/D	NP/D

Kind of actuation:

D - hand lever NP/D - hand lever or adjustment for actuator assembly NP/P - hand gear

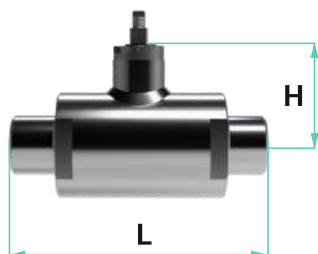
EXTERNAL THREADED BALL VALVES

PN16, PN40, PN63, PN100 thread: G, NPT

Options: thread BSF, BSW, M, MF, according to pattern

- DP22-00-51/1 1gzS
External threaded ball valve with full bore - two-piece (type G)
- DP22-00-52/1 1gzSC
External threaded ball valve with full bore - two-piece (type NPT)

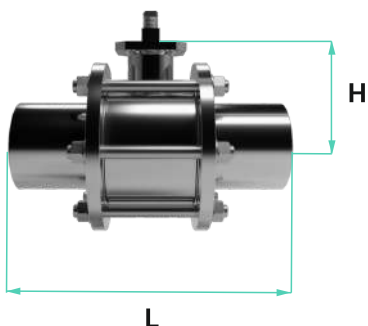
PN16, PN40, PN63, PN100 DN6÷ DN50



DN	6	10	15	20	25	32	40	50
NPS	1/4	3/8	1/2	3/4	1	1 1/4	1 1/2	2
Bore	6	10	15	20	25	32	40	50
L-length	95	95	115	130	145	170	180	190
Thread 51	G 1/4	G 3/8	G 1/2	G 3/4	G 1	G 1 1/4	G 1 1/2	G 2
Thread 52	NPT 1/4	NPT 3/8	NPT 1/2	NPT 3/4	NPT 1	NPT 1 1/4	NPT 1 1/2	NPT 2
Weight (kg)	0,7	0,7	0,7	2,0	2,1	3,0	4,1	6,5
H-height	43,0	43,0	43,0	56,7	56,7	61,0	65,0	93,2
Actuation	D	D	D	D	D	D	D	NP/D

- DP33-00-51/1 31gz
External threaded ball valve with full bore - three-piece (type G)
- DP33-00-52/1 31gzC
External threaded ball valve with full bore - three-piece (type NPT)

PN16, PN40 DN15÷ DN80



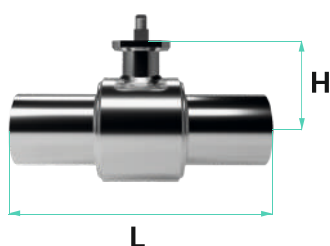
DN	15	20	25	32	40	50	65	80
NPS	1/2	3/4	1	5/4	3/2	2	5/2	3
Bore	15	20	25	32	40	50	62	75
L-length	115	130	145	170	180	190	250	300
Thread 51	G 1/2	G 3/4	G 1	G 5/4	G 3/2	G 2	G 5/2	G 3
Thread 52	NPT 1/2	NPT 3/4	NPT 1	NPT 5/4	NPT 3/2	NPT 2	NPT 5/2	NPT 3
Weight (kg)	1	2,1	2,3	2,7	4,1	7,3	9,7	16
H-height	43	57	57	61	65	90	102	110
Actuation	D	D	D	D	D	NP/D	NP/D	NP/D

Kind of actuation:

D - hand lever NP/D - hand lever or adjustment for actuator assembly NP/P - hand gear

- DP11-00-51/1 24gz
External threaded ball valve with full bore - one-piece (type G)
- DP11-00-52/1 24gz +C
External threaded ball valve with full bore - one-piece (type NPT)

PN16, PN40 DN10÷ DN125



DN	10	15	20	25	32	40	50	65	80	100	125
NPS	3/8	1/2	3/4	1	5/4	3/2	2	5/2	3	4	5
Bore	10	15	20	25	32	40	50	65	75	98	123
L-length	96	96	106	122	148	144	148	174	232	259	306
Thread 51	G 3/8	G 1/2	G 3/4	G 1	G 5/4	G 3/2	G 2	G 5/2	G 3	G 4	G 5
Thread 52	NPT 3/8	NPT 1/2	NPT 3/4	NPT 1	NPT 5/4	NPT 3/2	NPT 2	NPT 5/2	NPT 3	NPT 4	NPT 5
Weight (kg)	1,1	1,1	1,2	2,5	4,5	7	11,2	12,9	21	30	35
H-height	43	43	46	57	61	65	91	100	110	141	166
Actuation	D	D	D	D	D	D	NP/D	NP/D	NP/D	NP/D	NP/D

- DP11-00-51/2 1gz
External threaded ball valve with reduced bore - one-piece (type G)
- DP11-00-52/2 1gzC
External threaded ball valve with reduced bore - one-piece (type NPT)

PN16, PN40 DN10÷ DN125

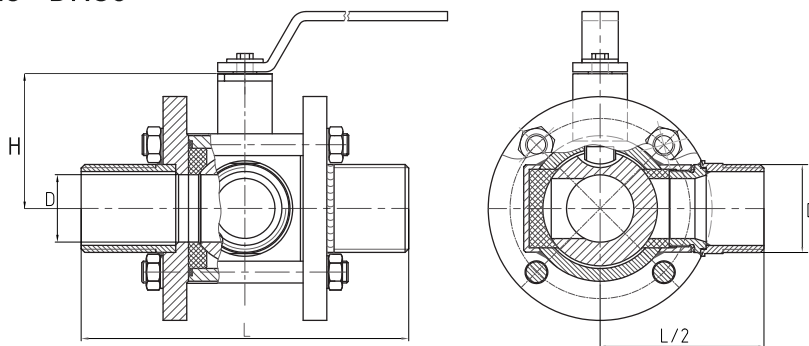


DN	10	15	20	25	32	40	50	65	80	100	125
NPS	3/8	1/2	3/4	1	5/4	3/2	2	5/2	3	4	5
Bore	10	10	15	20	25	32	40	50	62	85	105
L-length	115	115	130	145	170	180	190	250	300	360	410
Thread 51	G 3/8	G 1/2	G 3/4	G 1	G 5/4	G 3/2	G 2	G 5/2	G 3	G 4	G 5
Thread 52	NPT 3/8	NPT 1/2	NPT 3/4	NPT 1	NPT 5/4	NPT 3/2	NPT 2	NPT 5/2	NPT 3	NPT 4	NPT 5
Weight (kg)	0,7	0,7	0,8	1,1	1,7	2,3	2,9	5,8	7,3	14,1	24
H-height	41	41	43	46	57	61	84	91	102	134	145
Actuation	D	D	D	D	D	D	NP/D	NP/D	NP/D	NP/D	NP/D

Kind of actuation:

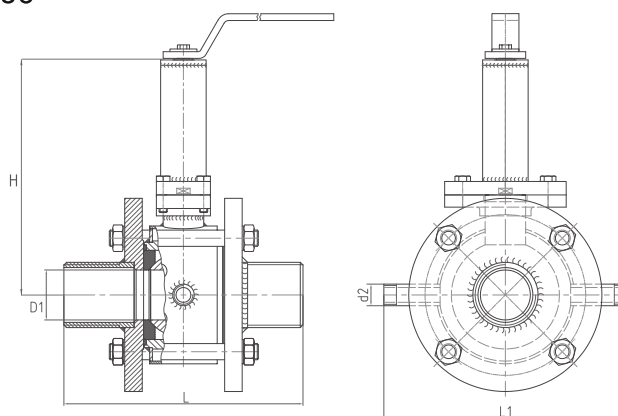
D - hand lever NP/D - hand lever or adjustment for actuator assembly NP/P - hand gear

- DP55-00-51/1 5gz
Three-way external threaded ball valve with full bore (type G)
- DP55-00-52/1 5gzC
Three-way external threaded ball valve with full bore (type NPT)
PN16, PN40 DN25÷ DN80



DN	25	32	40	50	65	80
D-bore	23	27	33	45	54*	67*
L-length	145	170	180	190	230*	280*
L/2-width	70	79	84,5	102	115*	140*
Thread 51	G 1	G 5/4	G 3/2	G 2	G 5/2	G 3
Thread 52	NPT 1	NPT 5/4	NPT 3/2	NPT 2	NPT 5/2	G 3
Weight (kg)	4,5	5,8	7	8	12*	16*
H-height	57	58,5	65	94,2	100,1*	111,2*
Actuation	D	D	D	NP/D	NP/D	NP/D

- DP33-06-51/1 10gz
Heated external threaded ball valve with full bore (type G)
- DP33-06-52/1 10gzC
Heated external threaded ball valve with full bore (type NPT)
PN16, PN40 DN15÷ DN50



DN	15	20	25	32	40	50
D1-bore	15	20	25	32	40	50
L-length	115	130	145	170	180	190
L1	181	201	201	212	226	263
Thread 51	G 1/2	G 3/4	G 1	G 5/4	G 3/2	G 2
Thread 52	NPT 1/2	NPT 3/4	NPT 1	NPT 5/4	NPT 3/2	NPT 2
d2	G 1/2	G 1/2	G 1/2	G 1/2	G 1/2	G 1/2
Weight (kg)	1,2	2,4	2,7	3,1	4,5	8,3
H-height	43	57	57	61,4	65	90,4
Actuation	NP/D	NP/D	NP/D	NP/D	NP/D	NP/D

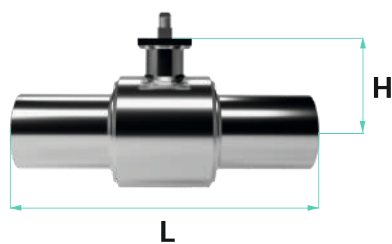
Kind of actuation:

D - hand lever NP/D - hand lever or adjustment for actuator assembly NP/P - hand gear

BALL VALVES FOR WELDING

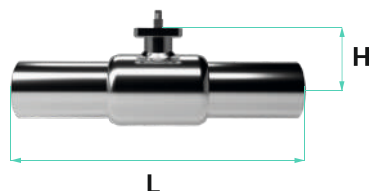
PN16, PN40, PN63, PN100

- DP11-00-61/1 24p
Ball valve for butt welding with full bore - one-piece
 PN16, PN40 DN15÷ DN300



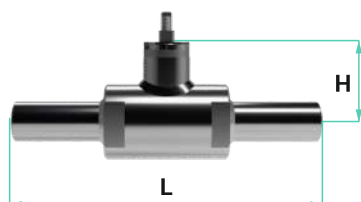
DN	10	15	20	25	32	40	50	65	80	100	125	150	200	250	300
Bore	10	15	20	25	32	40	50	65	75	98	123	148	198	253	300*
Connection	17,2	21,3	26,9	33,7	42,4	48,3	60,3	76,1	88,9	114,3	139,7	168,3	219	273	323*
L-length	130	130	150	160	370	380	390	400	450	520	600	700	800	900	1100*
Weight (kg)	1,1	1,1	1,2	2,5	4,5	7	11,2	12,9	21	30	35	50	80	150	180*
H-height	43	43	46	57	61	65	91	100	110	141	166	213	238	300	360*
Actuation	D	D	D	D	D	D	NP/D	NP/D	NP/D	NP/D	NP/D	NP/P	NP/P	NP/P	NP/P

- DP11-00-61/2 1p
Ball valve for butt welding with reduced bore - one-piece
 PN16, PN40 DN15÷ DN300



DN	10	15	20	25	32	40	50	65	80	100	125	150
Bore	10	10	15	20	25	32	40	50	62	85	105	130
Connection	17,2	21,3	26,9	33,7	42,4	48,3	60,3	76,1	88,9	114,3	139,7	168,3
L-length	230	230	230	230	260	260	300	300	300	450	500	600
Weight (kg)	0,7	0,7	0,7	1,2	1,7	2,4	3,5	5,7	7,3	14,1	24	28,2
H-height	41	41	43	46	57	61	84	91	102	134	145	166
Actuation	D	D	D	D	D	D	NP/D	NP/D	NP/D	NP/D	NP/D	NP/D

- DP22-00-61/1 1pS
Ball valve for butt welding with full bore - two-piece
 PN40, PN63, PN100 DN6÷ DN50

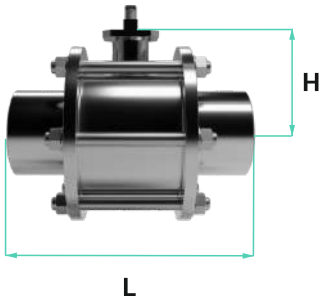


DN	6	10	15	20	25	32	40	50
Bore	6	10	15	20	25	32	40	50
Connection	150	150	165	190	216	229	241	292
L-length	10,2	17,2	21,3	26,9	33,7	42,4	48,3	60,3
Weight (kg)	0,6	0,8	1	2,2	2,5	3,5	4,7	7,5
H-height	43,0	43,0	43,0	56,7	56,7	61,0	65,0	93,2
Actuation	D	D	D	D	D	D	D	NP/D

Kind of actuation:

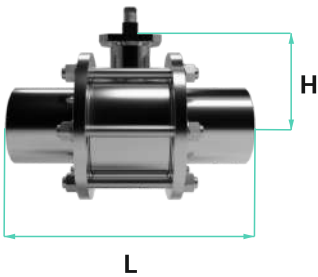
D - hand lever NP/D - hand lever or adjustment for actuator assembly NP/P - hand gear

- DP33-00-61/1 31p
Ball valve for butt welding with full bore - three-piece
 PN16, PN40 DN15÷ DN300



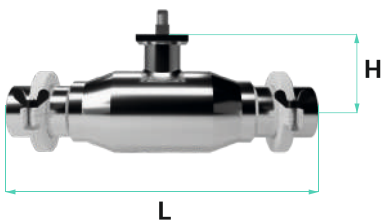
DN	15	20	25	32	40	50	65	80	100	125	150	200	250	300
Bore	15	20	25	32	40	50	62	75	85	105	130	162	200	253*
L-length	130	150	160	180	200	230	290	310	350	400	480	600	730	850*
Connection	21,3	26,9	33,7	42,4	48,3	60,3	76,1	88,9	114,3	139,7	168,3	219	273	323*
Weight (kg)	1,5	2,1	2,3	2,7	4,1	7,3	9,6	16	20	26	40	67	130	180*
H-height	43	57	57	61	65	90	102	110	145	166	213	238	300	360*
Actuation	D	D	D	D	D	NP/D	NP/D	NP/D	NP/D	NP/D	NP/P	NP/P	NP/P	NP/P

- DP33-00-61/2 3p
Ball valve for butt welding with reduced bore - three-piece
 PN16, PN40 DN100÷ DN300



DN	100	125	150	200	250	300
Bore	85	105	130	162	200	253*
L-length	350	400	480	600	730	850*
Connection	114,3	139,7	168,3	219	273	323*
Weight (kg)	20	26	40	67	130	180*
H-height	135	145	166	213	238	300*
Actuation	NP/D	NP/D	NP/D	NP/P	NP/P	NP/P

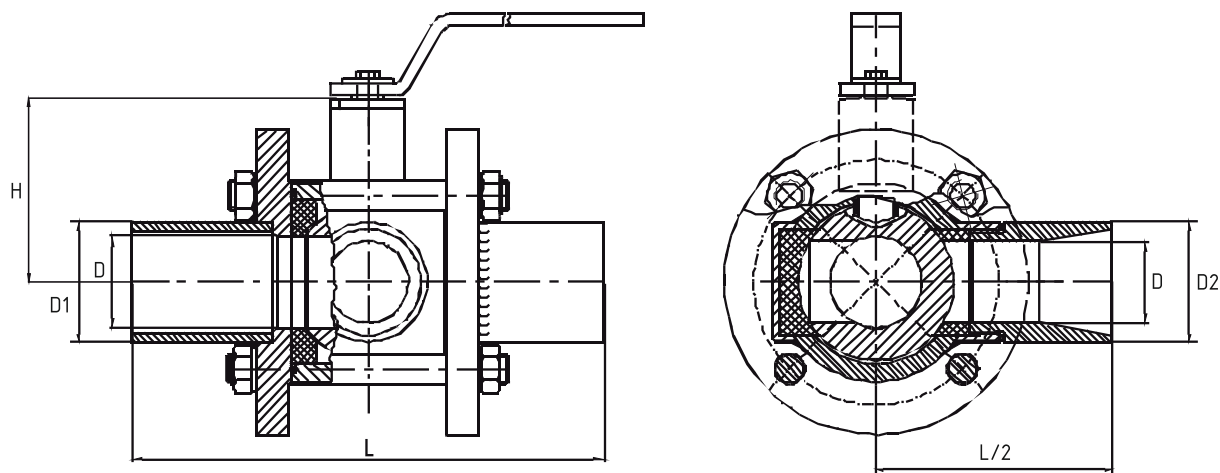
- DP11-00-68/2 1sz
Ball valve for socket weld with reduced bore - one-piece
 PN16, PN40 DN15÷ DN80



DN	15	20	25	32	40	50	65	80
Bore	10	15	20	25	32	40	50	62
L-length	170	190	230	220	240	310	370	390
Weight (kg)	0,7	1	1,5	2	2,6	3,8	6	7,6
H-height	41	46	46	57	61	84	91	102
Actuation	D	D	D	D	D	NP/D	NP/D	NP/D

Kind of actuation:

D - hand lever NP/D - hand lever or adjustment for actuator assembly NP/P - hand gear



- DP55-00-61/1 5p
Three-way ball valve for butt welding with full bore
 PN16, PN40 DN25÷ DN150

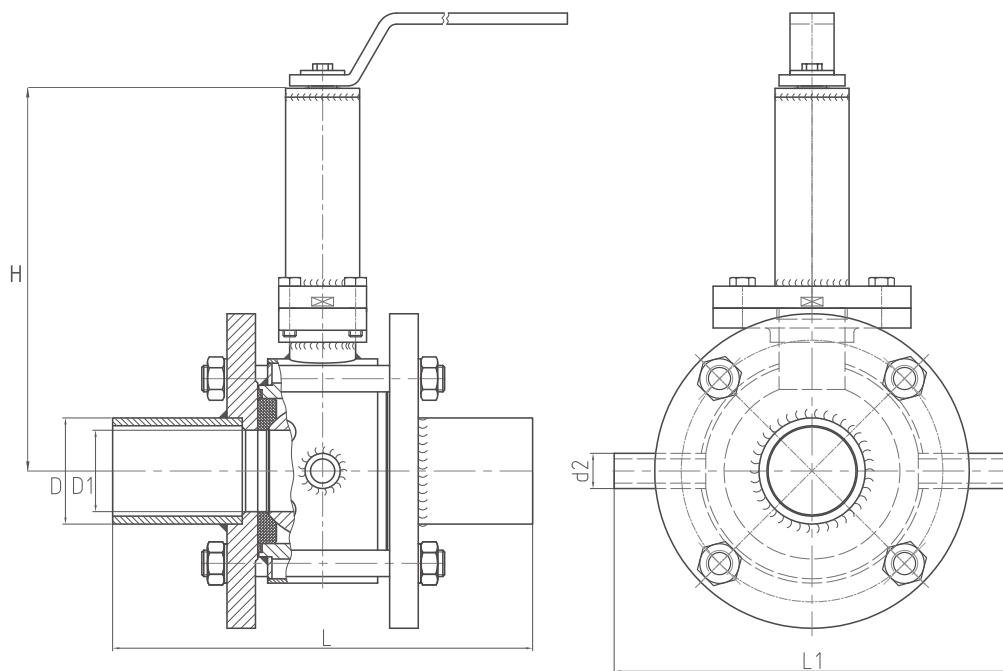
DN	25	32	40	50	65	80	100	125	150
D-bore	33,7	42,4	48,3	60,3	76,1	88,9	108	133	159
L-length	160	180	200	230	290	310	350	400	480
L/2-width	96,5	101	100	110	140	150	167	192	232
D1-connection	25	32	40	50	65	80	100	125	150
D2-connection	38	48	56	65	73	90	108	133	159
Weight (kg)	4,6	5,8	7	8	10,3	16	29	45	71
H-height	57	58,5	65	94,2	100,1	100,1	111,2	133,5	145,9
Actuation	D	D	D	NP/D	NP/D	NP/D	NP/D	NP/D	NP/P

- DP55-00-61/2 5p
Three-way ball valve for butt welding with reduced bore
 PN16, PN40 DN32÷ DN150

DN	32	40	50	65	80	100	125	150
D-bore	42,4	48,3	60,3	76,1	88,9	108	133	159
L-length	180	200	230	290	310	350	400	480
L/2-width	101	100	110	140	150	167	192	232
D1-connection	27	33	45	54	67	80	96	118
D2-connection	48	56	65	73	90	108	133	159
Weight (kg)	5,8	7	8	10,3	16	29	45	71
H-height	58,5	65	94,2	100,1	100,1	111,2	133,5	145,9
Actuation	D	D	NP/D	NP/D	NP/D	NP/D	NP/D	NP/P

Kind of actuation:

D - hand lever NP/D - hand lever or adjustment for actuator assembly NP/P - hand gear



- DP33-06-61/3 10p
Heated ball valve for butt welding with full bore
 PN16, PN40 DN25÷ DN300

DN	25	32	40	50	65	80	100	125	150	200	250	300
D1-bore	25	32	40	50	65	80	100	125	150	200	250	300*
L-length	160	180	200	230	290	310	350	400	480	600	730	850*
L1	201	212	226	263	273	296	318	385	427	478	537	598*
D-connection	33,7	42,4	48,3	60,3	76,1	88,9	114,3	139,7	168,3	219,1	273	323*
d2	21,3	21,3	21,3	21,3	21,3	21,3	21,3	26,9	26,9	26,9	26,9	26,9*
Weight (kg)	2,6	3,1	4,6	8,4	10,8	17,5	22	28,8	43,7	72,4	140	195*
H-height	57	61,4	65	90,4	101,6	110	135	144,9	165,5	212,5	238	360*
Actuation	NP/D	NP/D	NP/D	NP/D	NP/D	NP/D	NP/D	NP/D	NP/P	NP/P	NP/P	NP/P

- DP33-06-61/5 10p
Heated ball valve for butt welding with reduced bore
 PN16, PN40 DN100÷ DN300

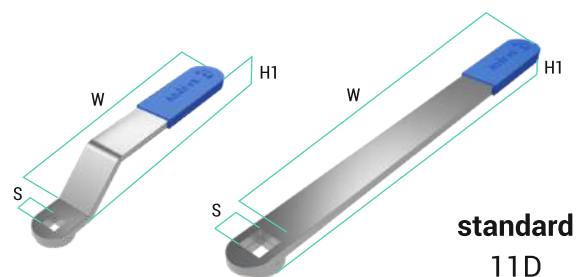
DN	100	125	150	200	250	300
D1-bore	85	105	130	162	200	250
L-length	350	400	480	600	730	850*
L1	318	385	427	478	537	598*
D-connection	114,3	139,7	168,3	219,1	273	323*
d2	21,3	26,9	26,9	26,9	26,9	26,9*
Weight (kg)	22	28,8	43,7	72,4	140	185*
H-height	135	144,9	165,5	212,5	238	360*
Actuation	NP/D	NP/D	NP/P	NP/P	NP/P	NP/P

Kind of actuation:

D - hand lever NP/D - hand lever or adjustment for actuator assembly NP/P - hand gear

ACTUATION OF BALL VALVES - HAND LEVER

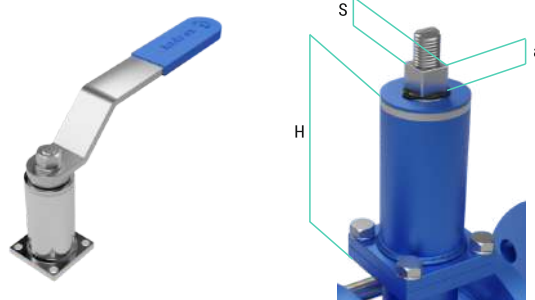
DN	W	H1	s	Type	Function
15	147	48	8 x 8	A	standard
20 - 25 - 32	167	59	10 x 10	A	
40	217	59	10 x 10	A	
50	280	61	17 x 17	A	
65 - 80	360	61	17 x 17	A	
100 - 125	472	23	24 x 24	A	
150	672	23	24 x 24	A	option



standard
11D

ACTUATION OF BALL VALVES - COLUMN

DN	S	a	H standard	Typ	H max
15	8 x 8	5	100	KL1 - 100	as ordered
20	10 x 10	5	100	KL2 - 100	
25	10 x 10	5	100	KL2 - 100	
32	10 x 10	5	100	KL2 - 100	
40	10 x 10	5	100	KL2 - 100	
50	17 x 17	6	100	KL3 - 100	
65	17 x 17	6	100	KL3 - 100	
80	17 x 17	6	100	KL3 - 100	
100	24 x 24	8	100	KL4 - 100	
125	24 x 24	8	100	KL4 - 100	
150	24 x 24	8	100	KL4 - 100	
200	42 x 42	12	100	KL5 - 100	
250	42 x 42	12	100	KL5 - 100	



standard
21K



with the possibility of using
padlock, seal
12D



with protection against accidental
steering
13D



with limit indicator
14D



with ratchet
15D



stainless steel
16D



shifted horizontally
17D



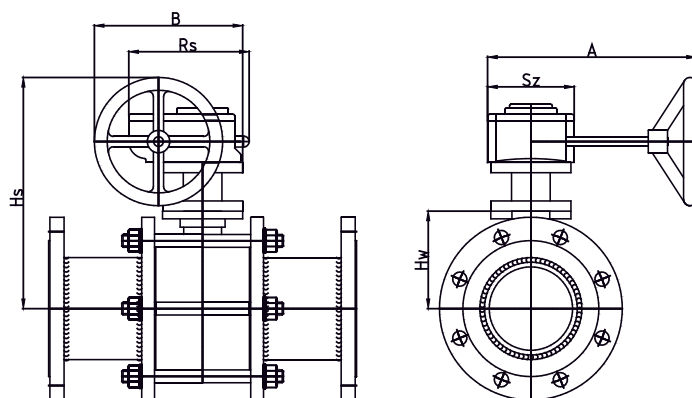
special execution
19K



spring lever
61D

STEROWANIE KURKÓW KULOWYCH - PRZEKŁADNIA RĘCZNA

DN	Hs	Hw	Rs	A	B	Sz	Weight (kg)	Function
50	263	94	137	254	179	112	4,0	standard
65	268	100	137	254	179	112	4,0	
80	280	110	137	254	179	112	4,0	
100	332	123	188	326	241	135	8,0	
125	342	133	188	326	241	135	8,0	option
150	360	152	188	326	241	135	8,0	
200	494	202	206	366	322	156	13,5	
250	520	228	206	366	322	156	13,5	



31P



with column
32P



with limit indicator
34P

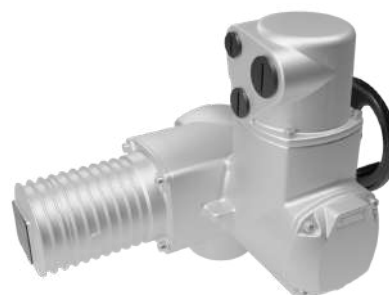


with chain
38P

PNEUMATIC DRIVE



ELECTRIC DRIVE

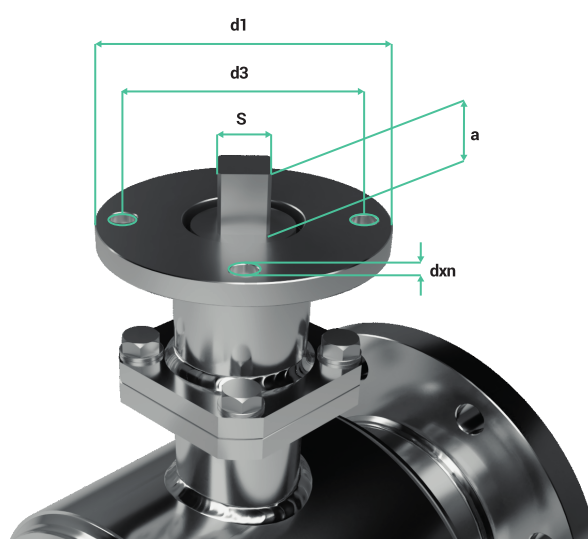


41NE

- one side acting - 51NP
- one side acting with limit indicator - 52NP
- one side acting with limit indicator and solenoid valve - 53NP
- double side acting - 54NP
- double side acting with limit indicator and solenoid valve - 55NP
- special execution - 59NP

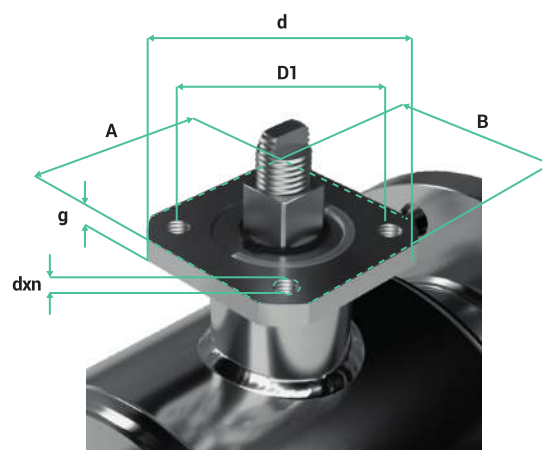
ADAPTATION FOR DRIVE

DN	S	a	H standard	Typ	H max
15	14 x 14	16	50	F 05	
20	14 x 14	16	50	F 05	
25	14 x 14	16	50	F 05	
32	14 x 14	16	50	F 05	
40	14 x 14	16	50	F 05	
50	17 x 17	19	60	F 07	
65	17 x 17	19	60	F 07	as ordered
80	17 x 17	19	60	F 07	
100	22 x 22	24	80	F 10	
125	22 x 22	24	80	F 10	
150	22 x 22	24	80	F 10	
200	27 x 27	29	100	F 12	
250	22 x 22	29	100	F 12	



ADAPTATION FOR OPTIONAL EQUIPMENT

DN	A	B	g	dxn	D	D1	Function
15	50	50	8	M6x4	42	60	
20	50	50	8	M6x4	50	65	
25	50	50	8	M6x4	50	65	option
32	50	50	8	M6x4	50	65	
40	50	50	8	M6x4	50	65	
50	62	62	8	M8x4	70	-	
65	62	62	8	M8x4	70	-	
80	62	62	8	M8x4	70	-	
100	90	90	10	M10x4	90	110	
125	90	90	10	M10x4	90	110	standard
150	90	90	10	M10x4	90	110	
200	-	-	18	M16x4	140	Q175	
250	-	-	18	M16x4	140	Q175	



BALL VALVE TORQUES

DN	15	20	25	32	40	50	65	80	100	125	150	200	250
Torque (Nm) *	10	15	20	25	40	80	100	120	150	190	350	550	800
Maximum allowable torque (Nm) **	40		120		140		300		1000	1200		300	

* assumed torque in assembly conditions. In order to choose the appropriate actuator, please contact the manufacturer.

** damage of valve occurs

MATERIAL EXECUTIONS



Kind of material	Carbon steel		Alloy stainless steel									
	11	12	21	22	23	24	25	26	41	42	43 Duplex	44 Hastelloy
Body	P355/S355	P235/S235	1.4541	1.4301	1.4571	1.4571	1.4571	1.4404	1.4539	1.4931	1.4462	2.4602
Connection	P355/S355	P235/S235	1.4541	1.4541	1.4541	1.4571	1.4571	1.4404	1.4539	1.4931	1.4462	2.4602
Closing component (ball)	1.4301	1.4301	1.4301	1.4301	1.4301	1.4404	1.4571	1.4404	1.4539	1.4931	1.4462	2.4602
Stem	1.4305	1.4305	1.4305	1.4305	1.4305	1.4404	1.4571	1.4404	1.4539	1.4931	1.4462	2.4602
Ball sealing	PTFE, PTFE + glass fibre 25%											
Sealing package	PTFE, PTFE + glass fibre 25%, MRF											

Sealing is available also in metal-metal version.





Brzyście 35 near Mielec
39-307 Gawłuszowice



Tel: +48 17 785 28 93
Tel: +48 17 785 28 94



biuro@andrex-vg.com
www.andrex-vg.com